



**HAMMERHEAD**  
ALUMINUM FLOOD PLANKS

**C O M P O N E N T S**

Your Hammerhead order may include all or some of the following parts as kits are custom suited for your needs

**Posts**



Outside Mount Post (L/R)



Inside Mount Post (L/R)



Center Post

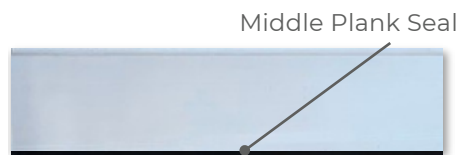


90-Degree Corner Post

**Panels**



Top Plank



Middle Planks  
(stack multiple for added height)



Bottom Plank

**Accessories**



Center Post Kicker Leg



Drop-in Anchor Bolt



Masonry Bolt

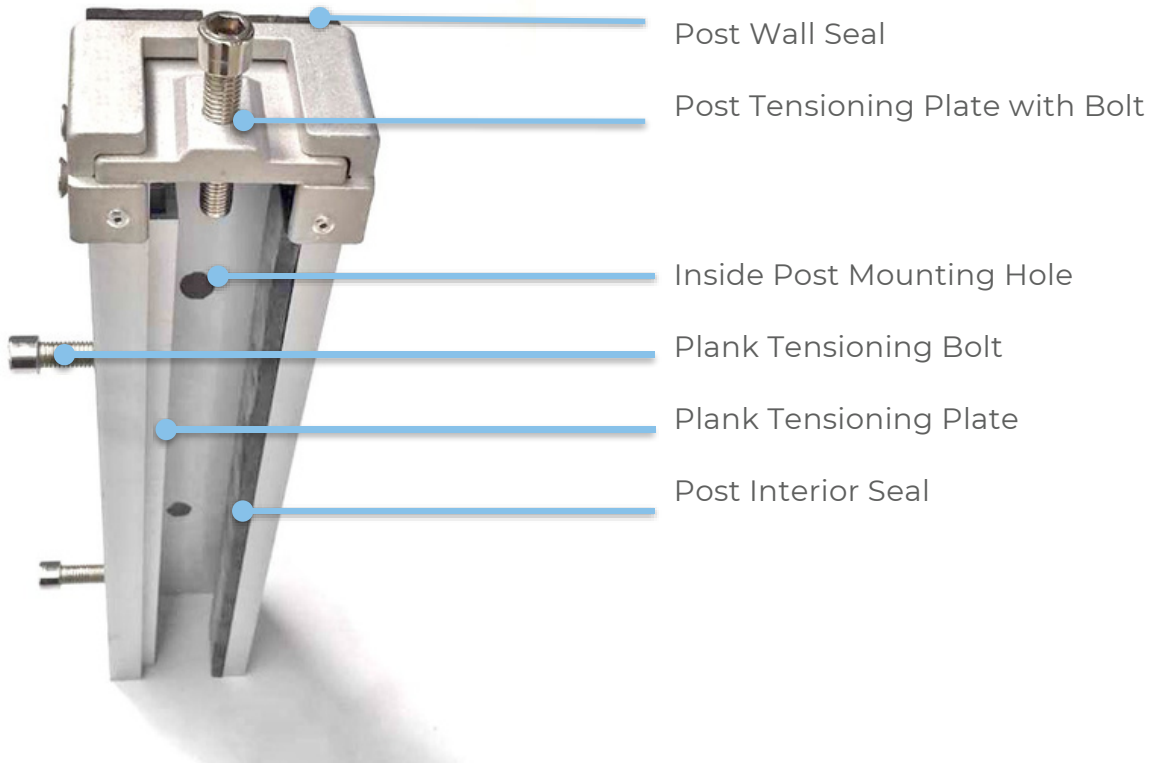


Center Post Baseplate  
and In-Ground Anchors



Post Kicker Baseplate  
and In-Ground Anchors

## Inside Mount Post



## Easy Setup with Hammerhead Components

