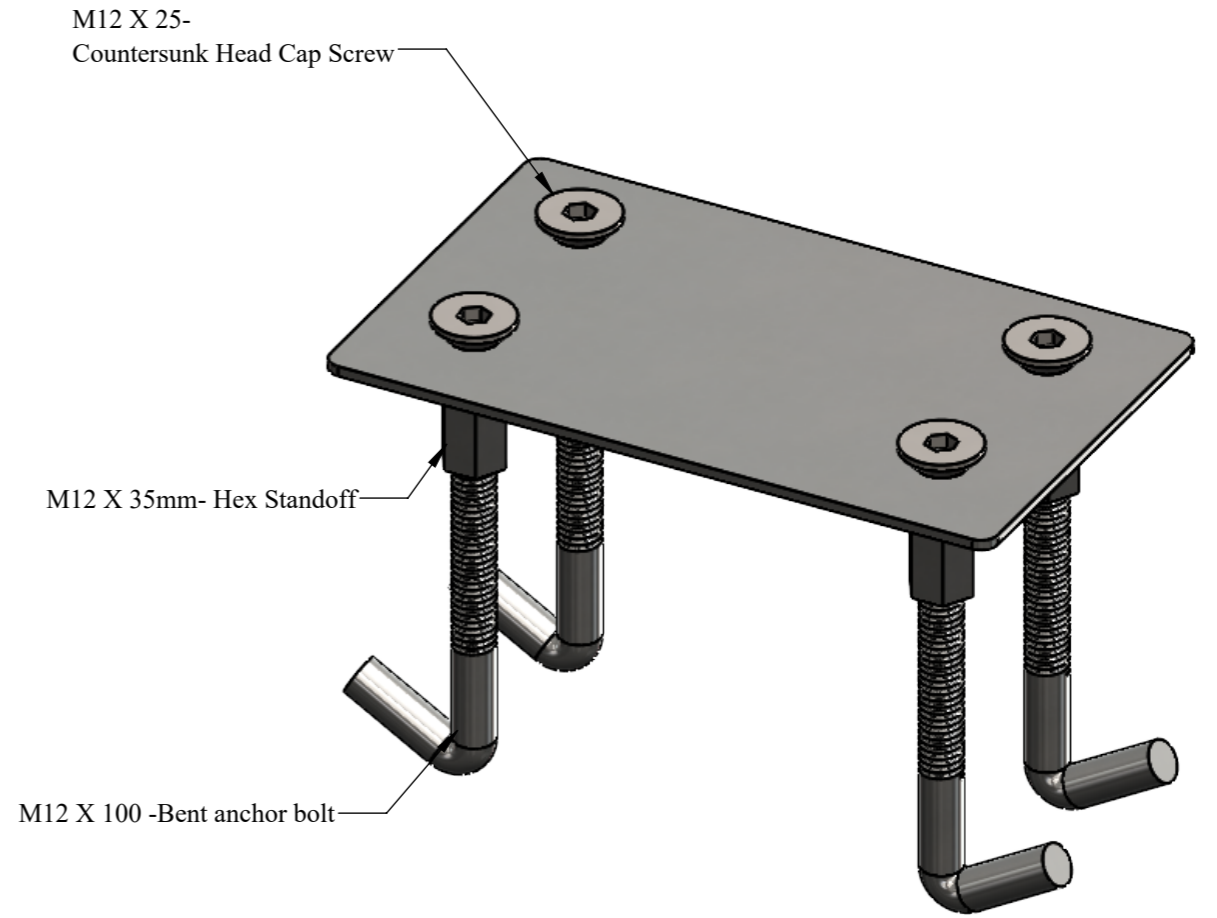
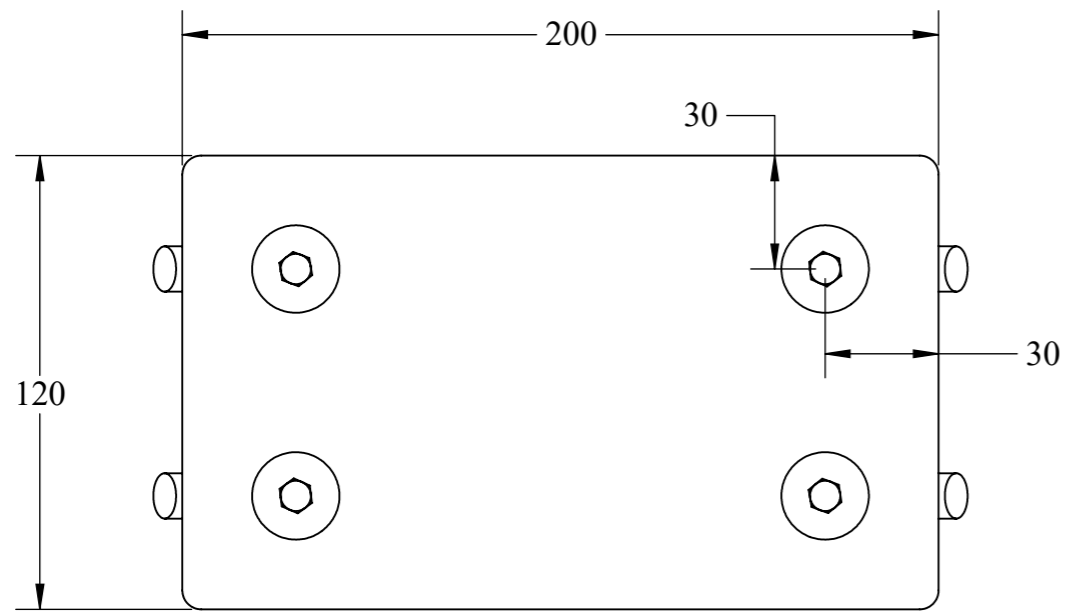
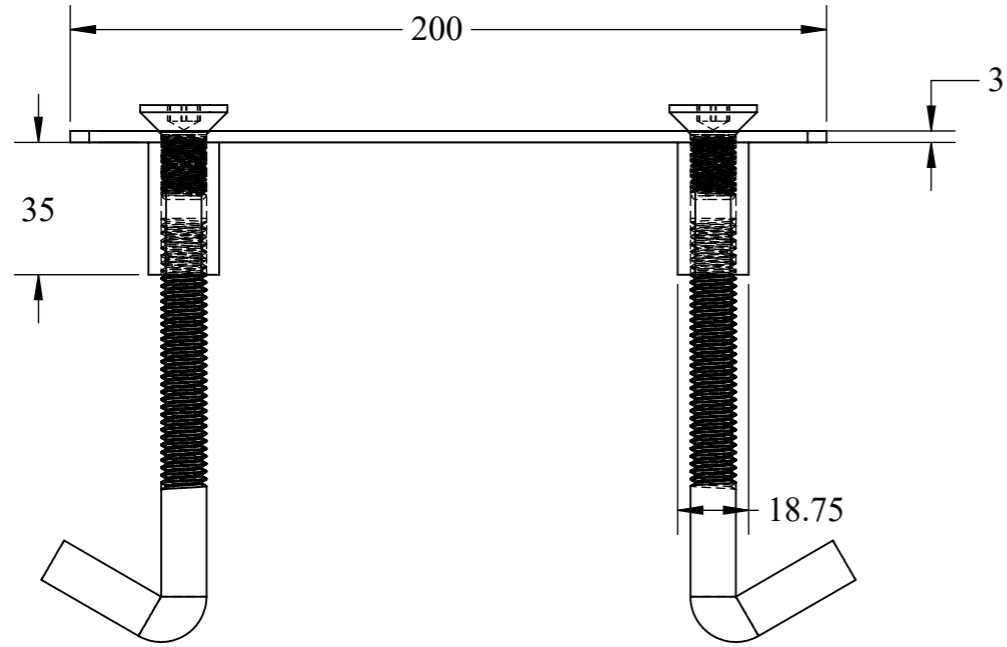


8 7 6 5 4 3 2 1



UNLESS OTHERWISE SPECIFIED: DIMENSIONS ARE IN MILLIMETERS				FINISH:		DEBURR AND BREAK SHARP EDGES		DO NOT SCALE DRAWING		REVISION	
SURFACE FINISH:								TITLE: <h2 style="text-align: center;">Large Base Plate</h2>			
TOLERANCES:											
LINEAR:											
ANGULAR:											
DRAWN		NAME		SIGNATURE		DATE		DWG NO.			
CHK'D								SCALE:1:2			
APPV'D								SHEET 1 OF 1			
MFG								A3			
Q.A						MATERIAL:					
						WEIGHT:					

8 7 6 5 4 3 2 1

F
E
D
C
B
A

F
E
D
C
B
A

8 7 6 5 4 3 2 1

F

F

E

E

D

D

C

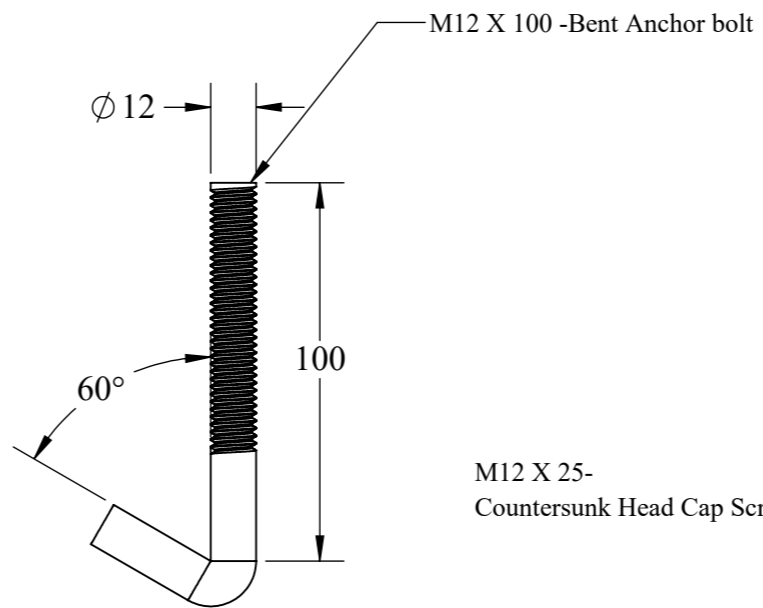
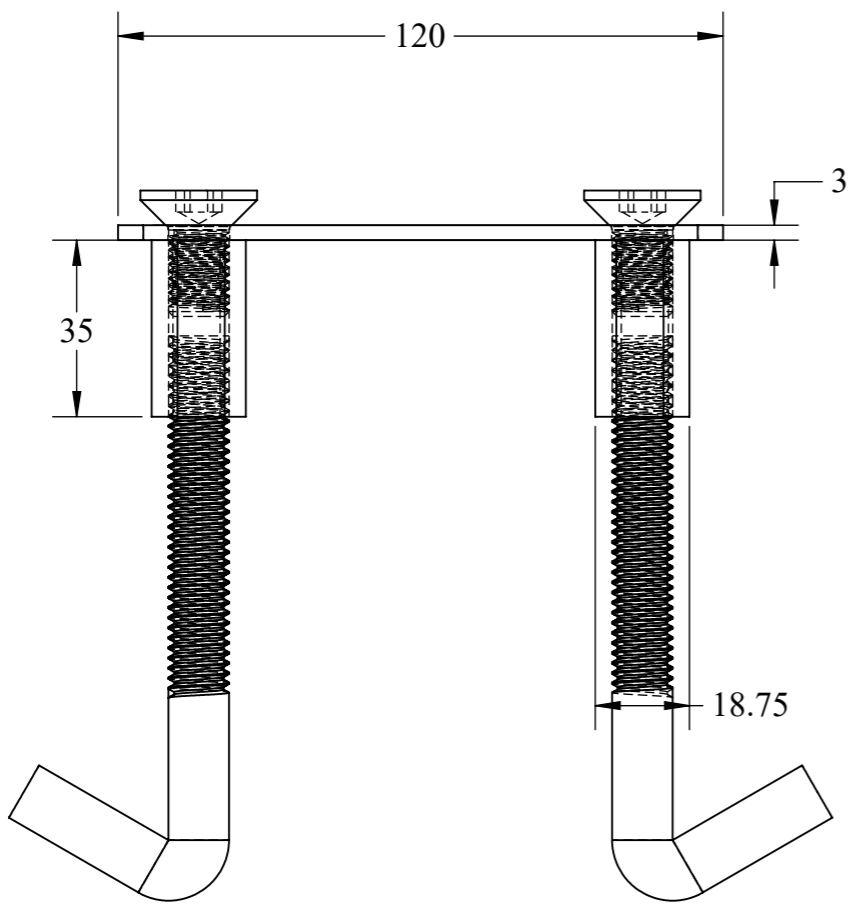
C

B

B

A

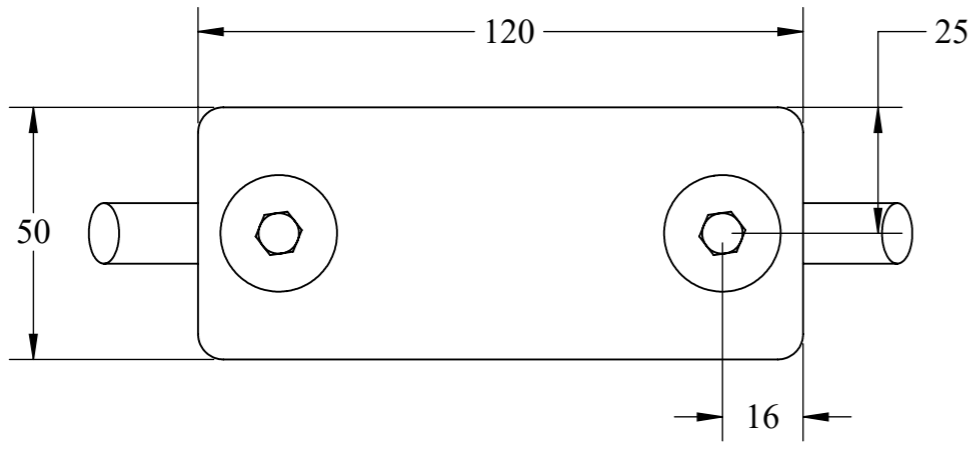
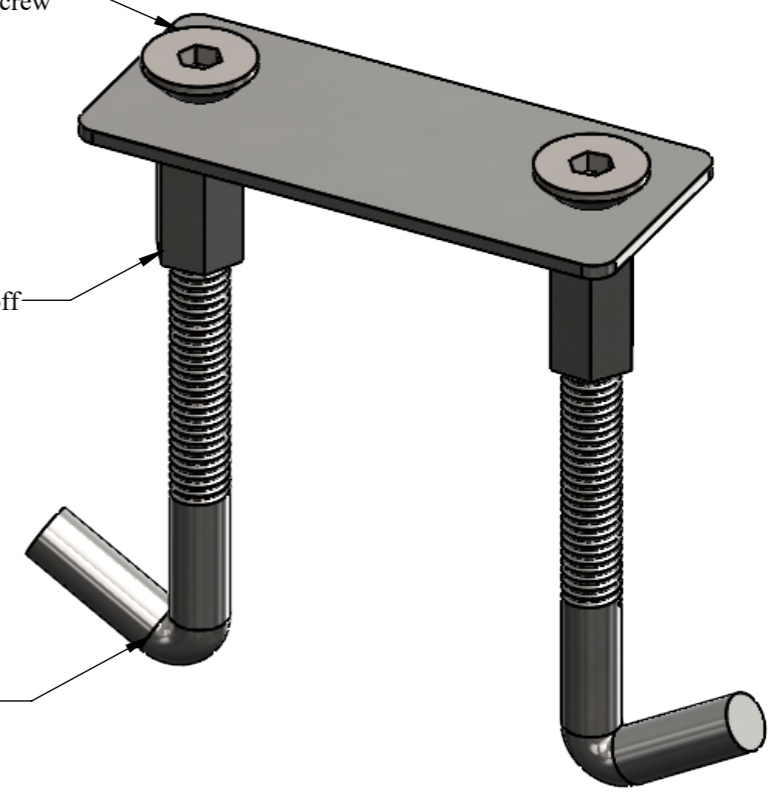
A



M12 X 25-
Countersunk Head Cap Screw

M12 X 35mm- Hex Standoff

M12 X 100 -Bent anchor bolt



UNLESS OTHERWISE SPECIFIED: DIMENSIONS ARE IN MILLIMETERS				FINISH:		DEBURR AND BREAK SHARP EDGES		DO NOT SCALE DRAWING		REVISION	
SURFACE FINISH:								Garrison Systems, LLC			
TOLERANCES:											
LINEAR:								Small Base Plate			
ANGULAR:											
DRAWN		NAME		SIGNATURE		DATE		TITLE:			
CHK'D								A3			
APPV'D											
MFG								DWG NO.			
Q.A						MATERIAL:		SCALE:1:2			
						Stainless		SHEET 1 OF 1			
						WEIGHT:					

8 7 6 5 4 3 2 1