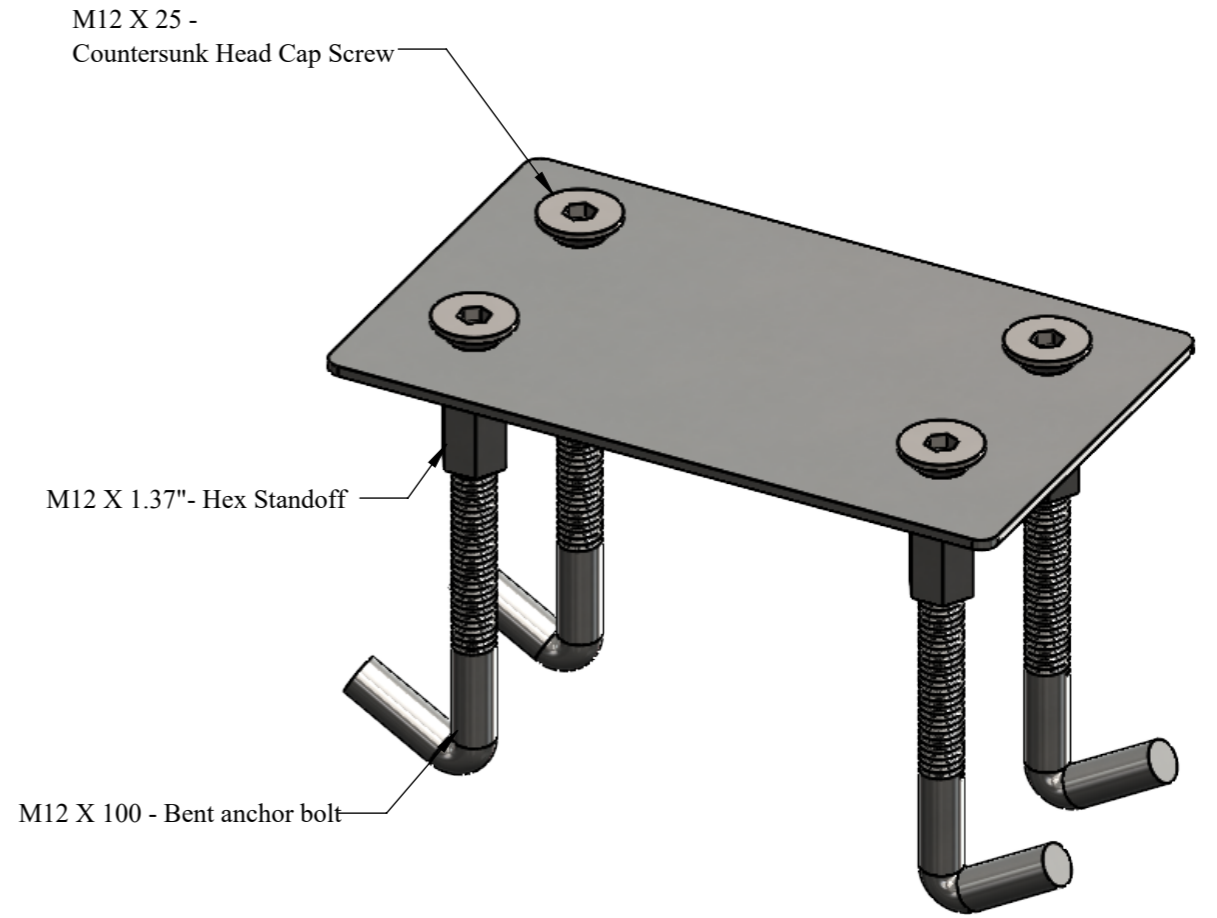
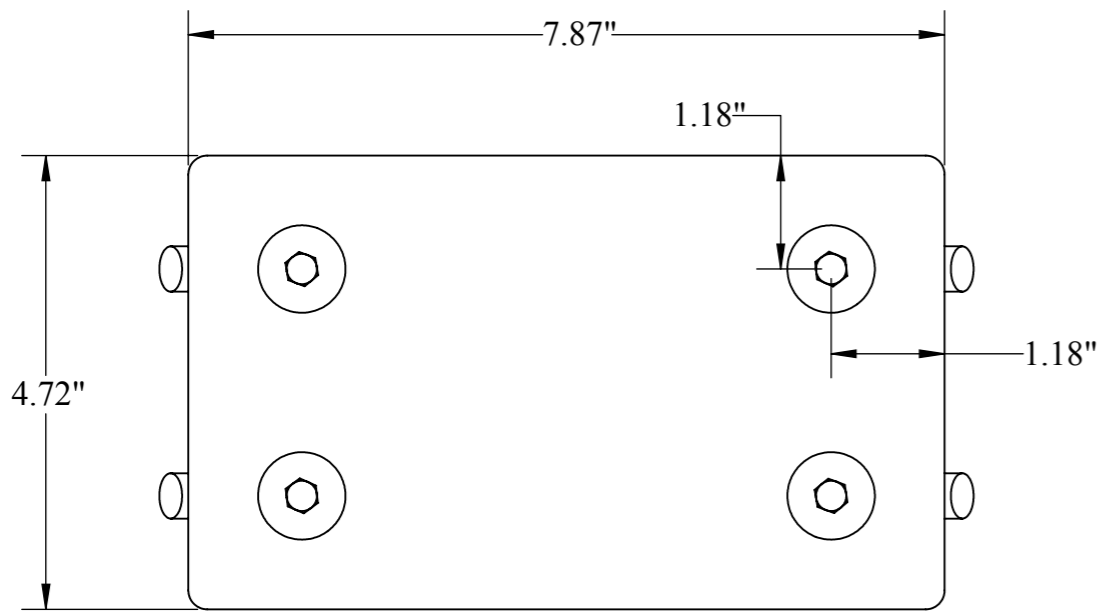
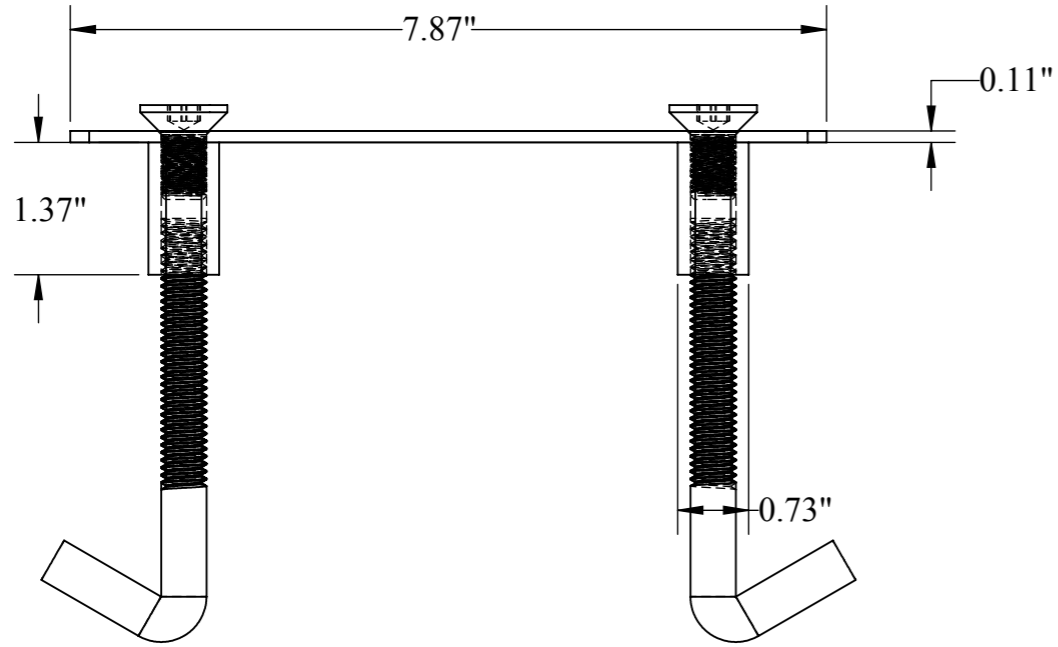


8 7 6 5 4 3 2 1



Garrison Systems, LLC.

UNLESS OTHERWISE SPECIFIED: DIMENSIONS ARE IN INCHES SURFACE FINISH: TOLERANCES: LINEAR: ANGULAR:			FINISH:		DEBURR AND BREAK SHARP EDGES		DO NOT SCALE DRAWING		REVISION		
							All units are in Inches				
							TITLE: Hammerhead™				
							DWG NO. Large Base Plate				A3
							WEIGHT:		SCALE:1:2		SHEET 1 OF 1
NAME	SIGNATURE	DATE									
DRAWN											
CHK'D											
APPV'D											
MFG											
Q.A						MATERIAL:					

8 7 6 5 4 3 2 1

F
E
D
C
B
A

F
E
D
C
B
A