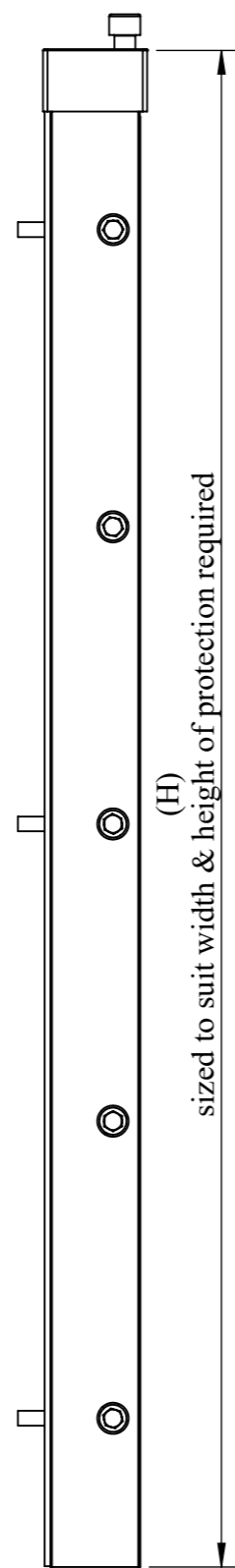
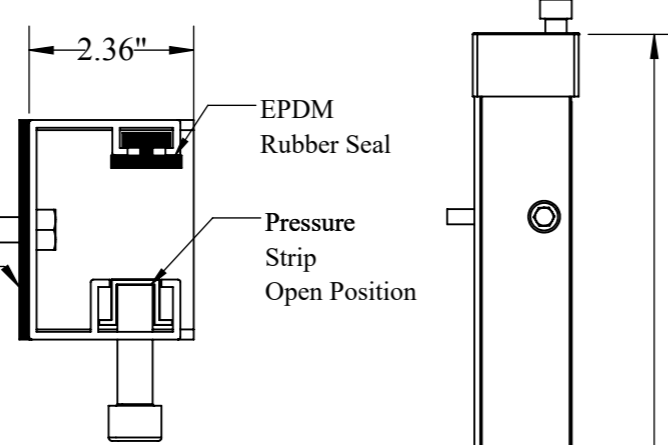
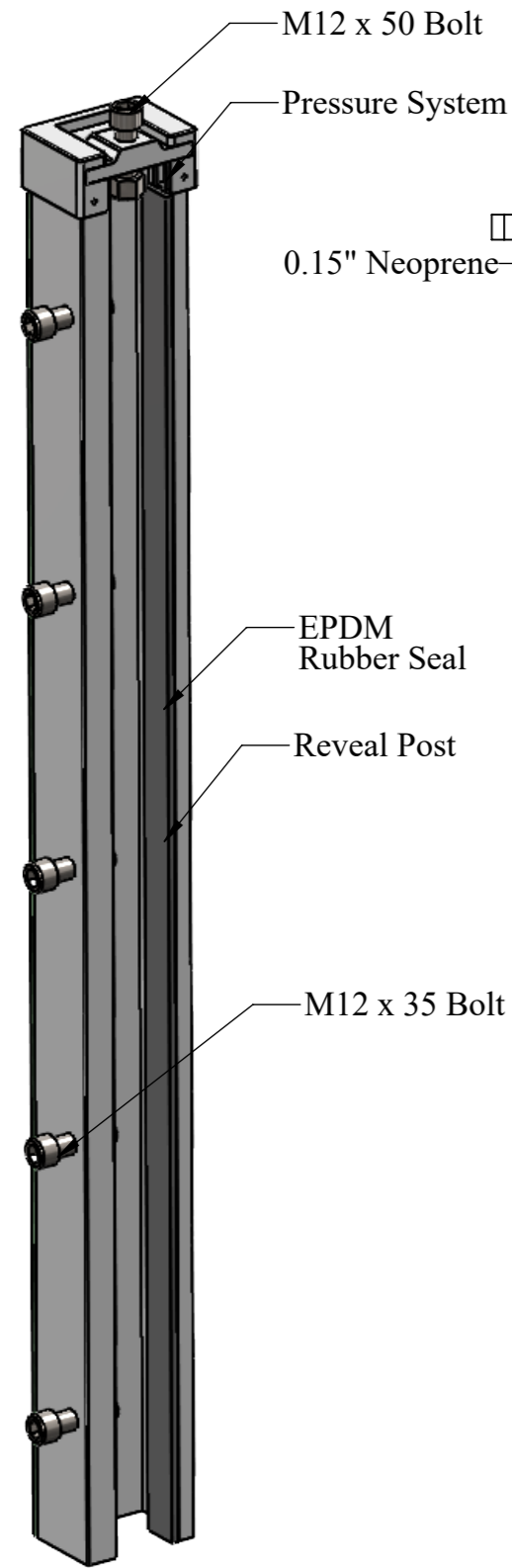
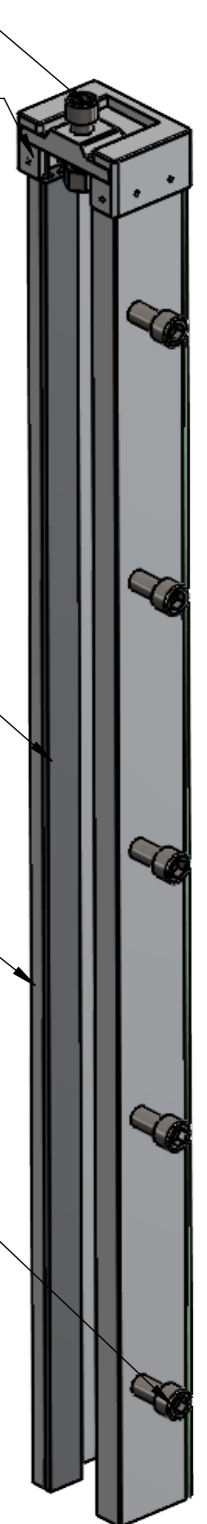
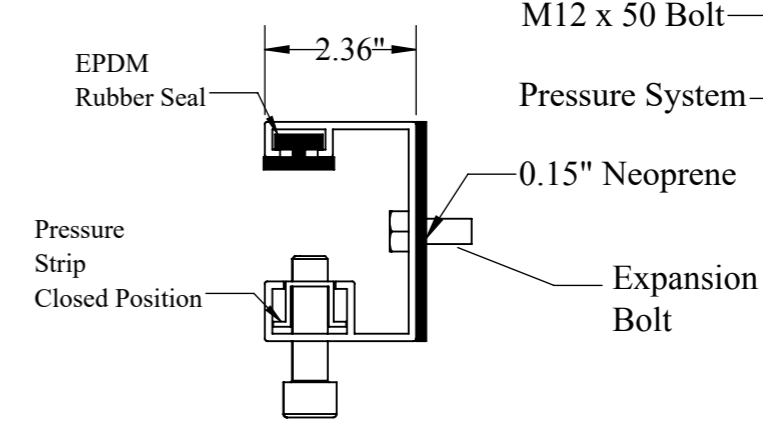
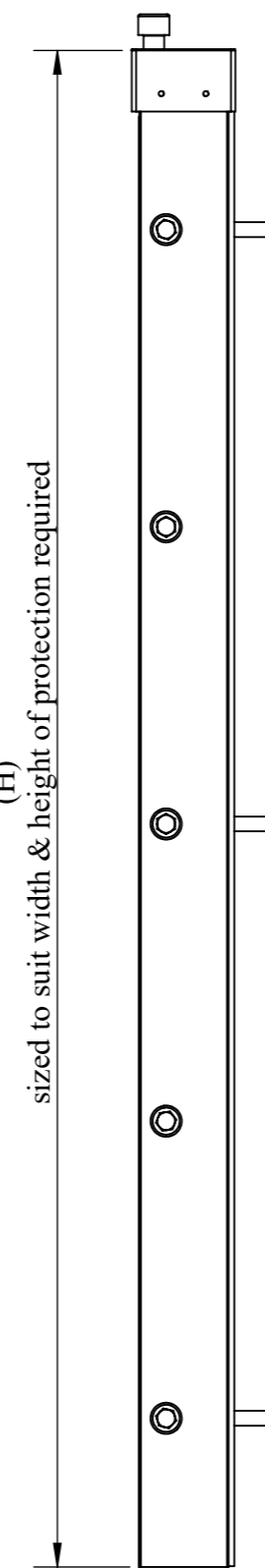


8 7 6 5 4 3 2 1



LEFT



RIGHT

Garrison Systems, LLC.

UNLESS OTHERWISE SPECIFIED: DIMENSIONS ARE IN INCHES SURFACE FINISH: TOLERANCES: LINEAR: ANGULAR:			FINISH:		DEBURR AND BREAK SHARP EDGES		DO NOT SCALE DRAWING		REVISION			
							All units are in Inches					
							TITLE:					
							Hammerhead™ Inside Mount Post Detail					
							DWG NO.		A3			
							WEIGHT:		SCALE:1:10		SHEET 2 OF 4	

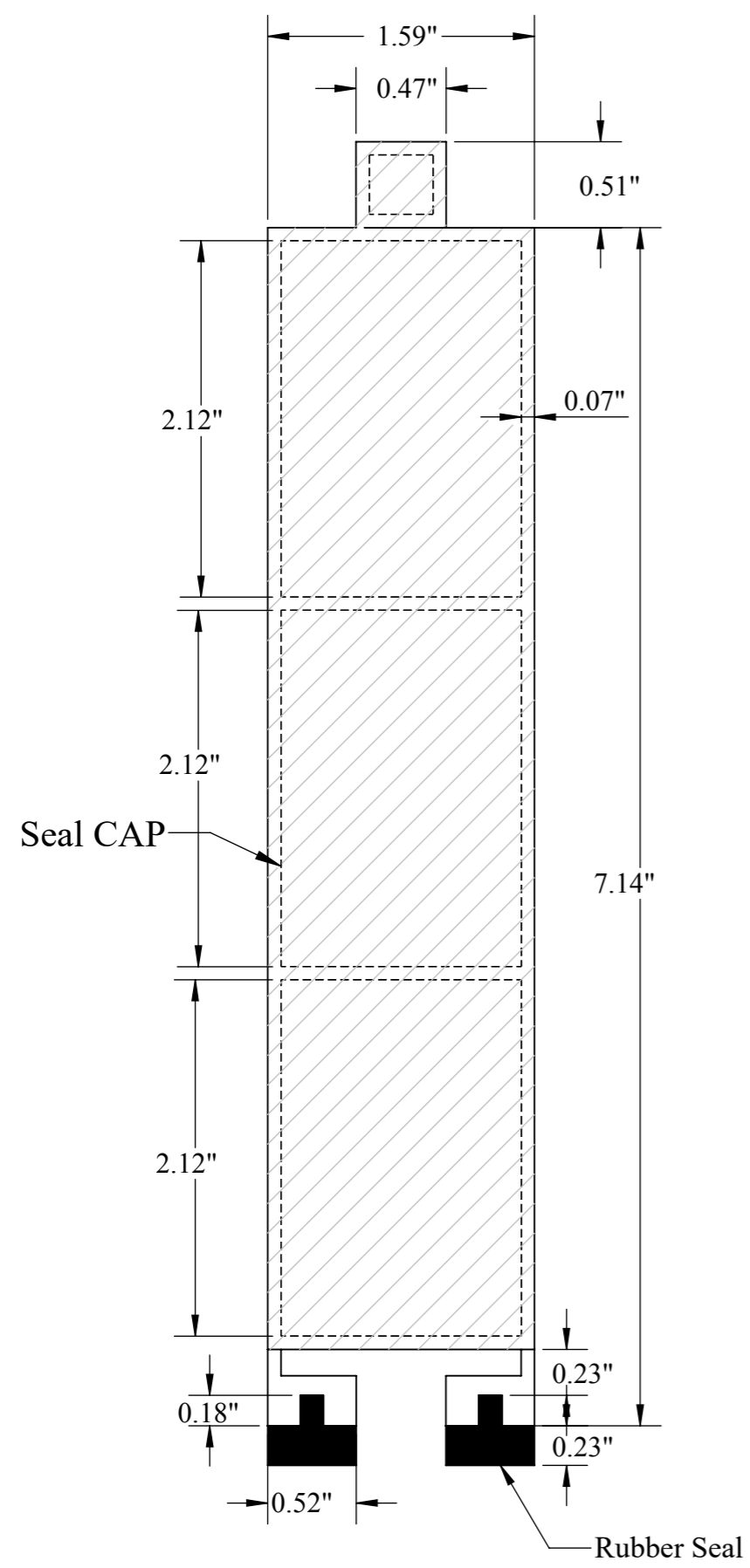
F
E
D
C
B
A

F
E
D
C
B
A

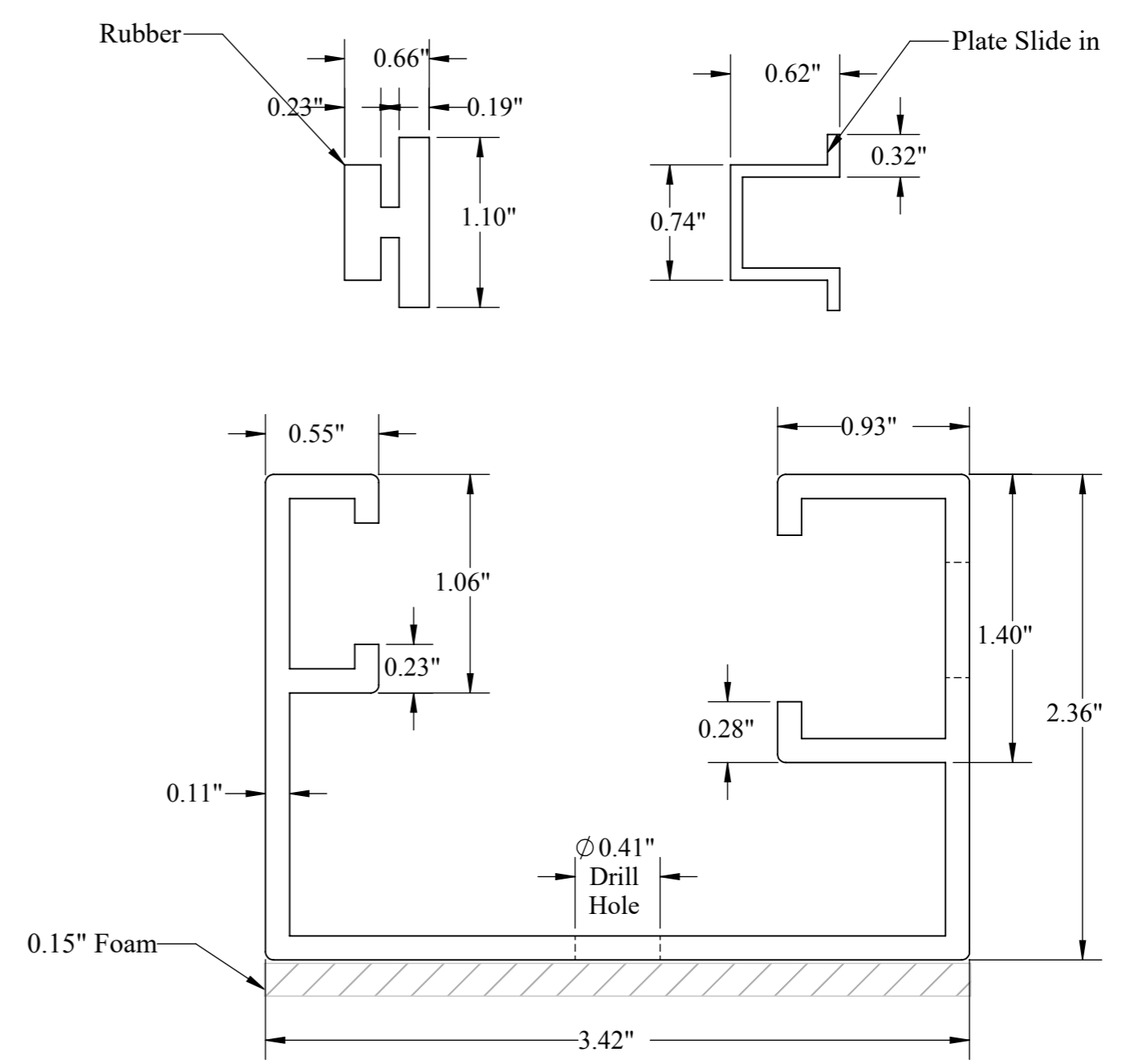
8 7 6 5 4 3 2 1

8 7 6 5 4 3 2 1

PLANK



Post Profile



Garrison Systems, LLC.

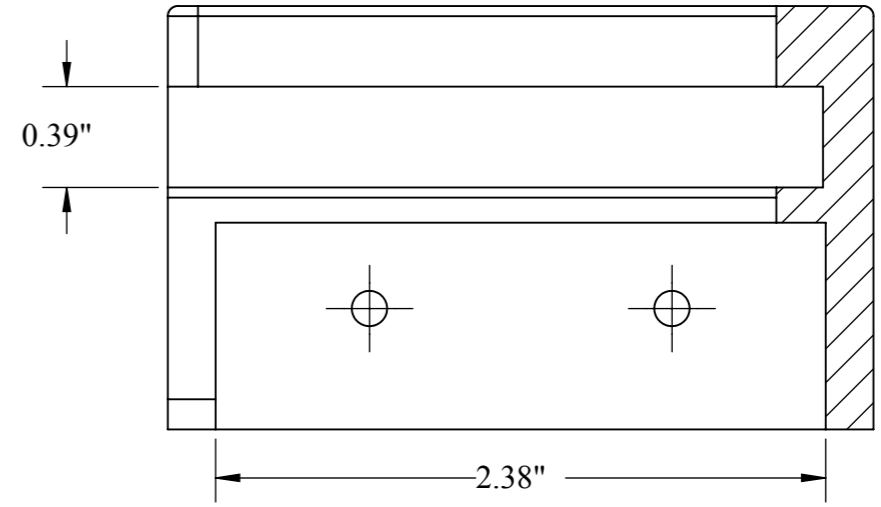
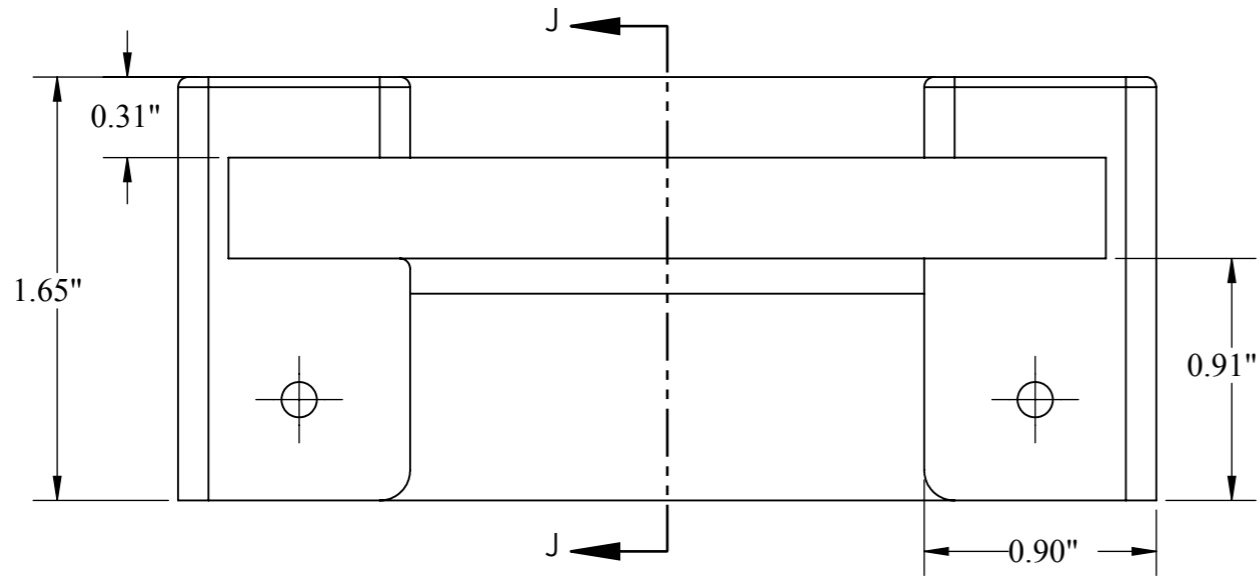
UNLESS OTHERWISE SPECIFIED: DIMENSIONS ARE IN INCHES SURFACE FINISH: TOLERANCES: LINEAR: ANGULAR:			FINISH:		DEBURR AND BREAK SHARP EDGES		DO NOT SCALE DRAWING		REVISION		
							All units are in Inches				
							TITLE:				
							Hammerhead™ Inside Mount				
							DWG NO.				A3
							SCALE:1:10				SHEET 3 OF 4

F
E
D
C
B
A

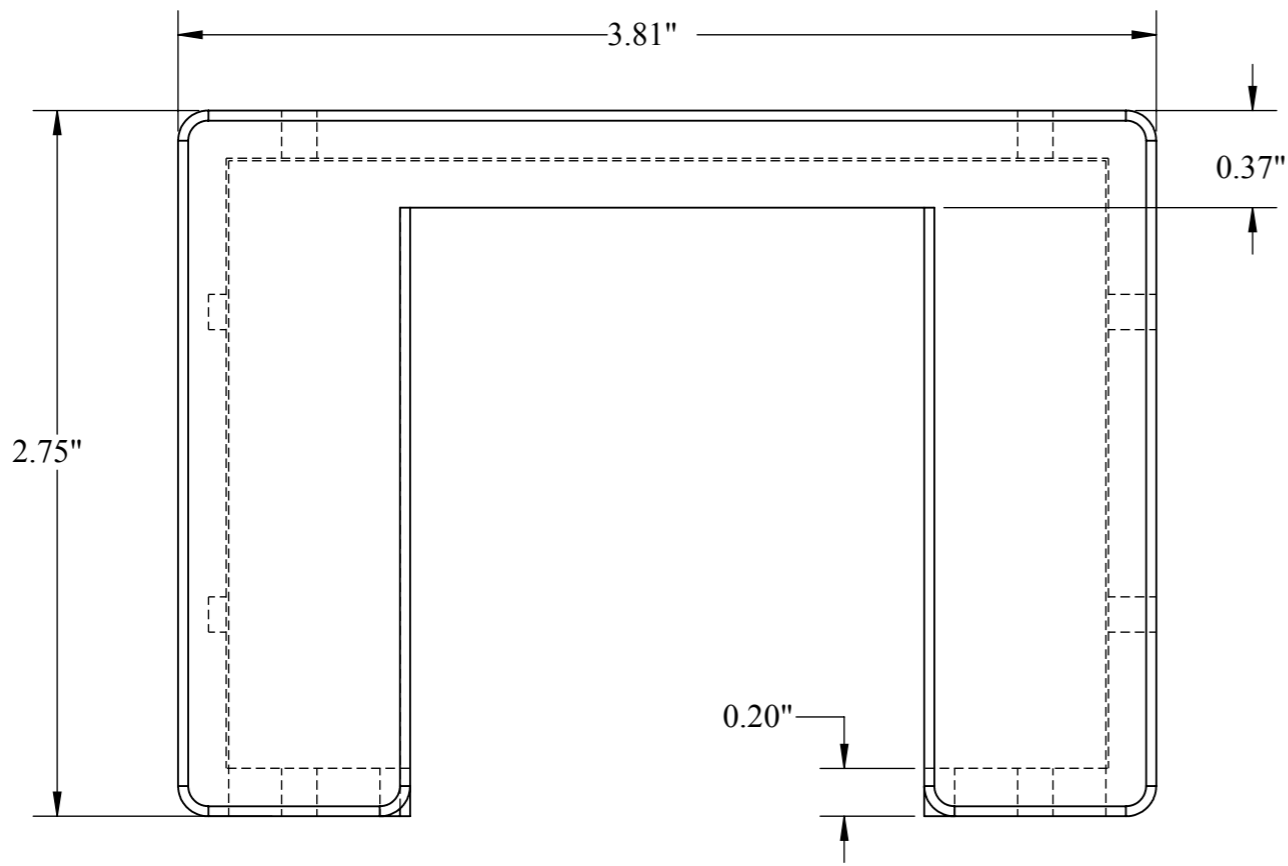
F
E
D
C
B
A

8 7 6 5 4 3 2 1

POST PROFILE CAP

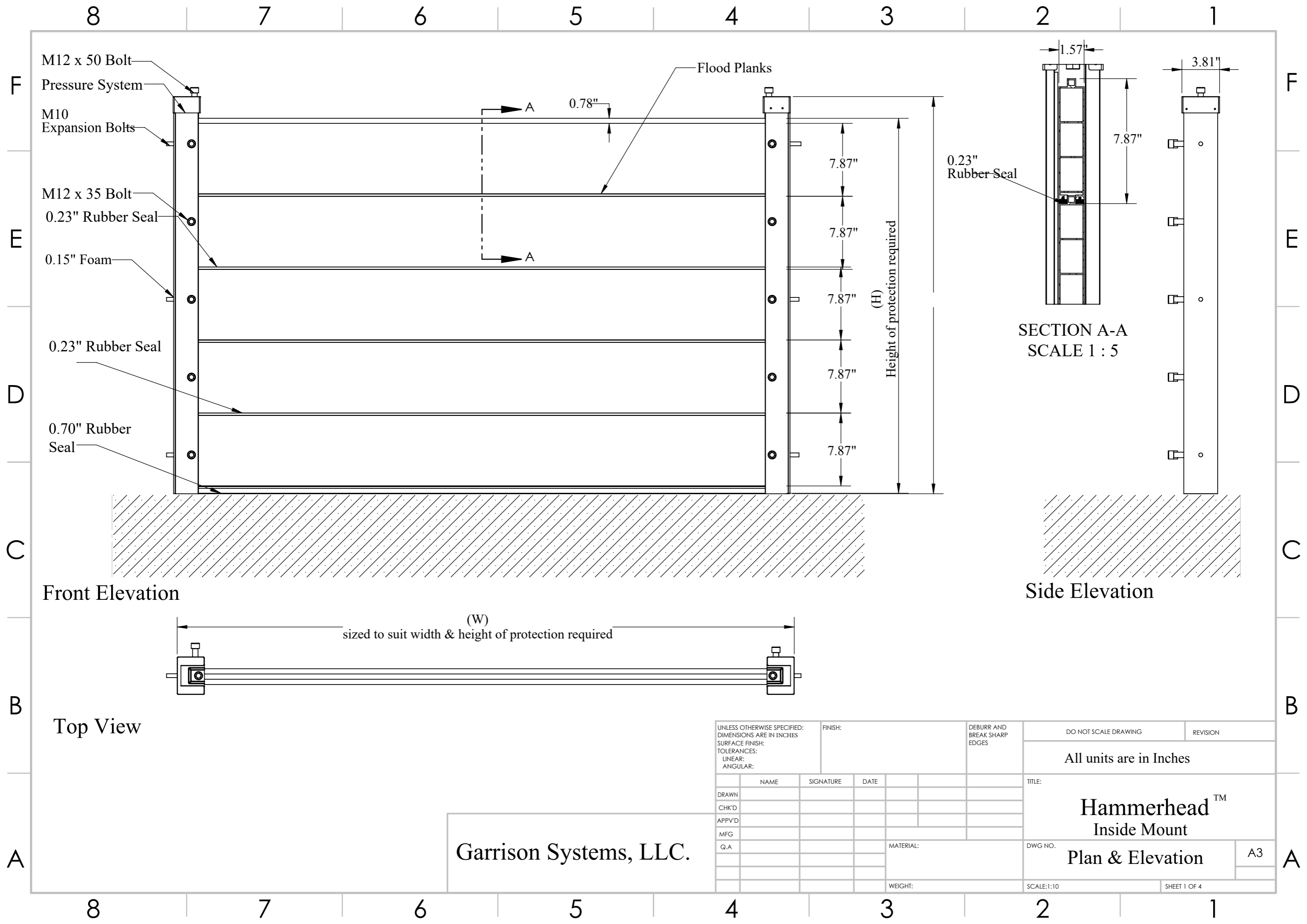


SECTION J-J
SCALE 1 : 0.75



Garrison Systems, LLC.

UNLESS OTHERWISE SPECIFIED: DIMENSIONS ARE IN INCHES SURFACE FINISH: TOLERANCES: LINEAR: ANGULAR:				FINISH:		DEBURR AND BREAK SHARP EDGES		DO NOT SCALE DRAWING		REVISION	
All units are in Inches								TITLE:			
DRAWN								Hammerhead™			
CHK'D								DWG NO.			
APPV'D								Post Top Cap			
MFG								A3			
Q.A								SCALE:1:10			
WEIGHT:								SHEET 4 OF 4			



Garrison Systems, LLC.

UNLESS OTHERWISE SPECIFIED: DIMENSIONS ARE IN INCHES SURFACE FINISH: TOLERANCES: LINEAR: ANGULAR:			FINISH:		DEBURR AND BREAK SHARP EDGES		DO NOT SCALE DRAWING		REVISION		
							All units are in Inches				
							TITLE:				
							Hammerhead™ Inside Mount				
							DWG NO.				A3
							SCALE:1:10				SHEET 1 OF 4

8 7 6 5 4 3 2 1

F

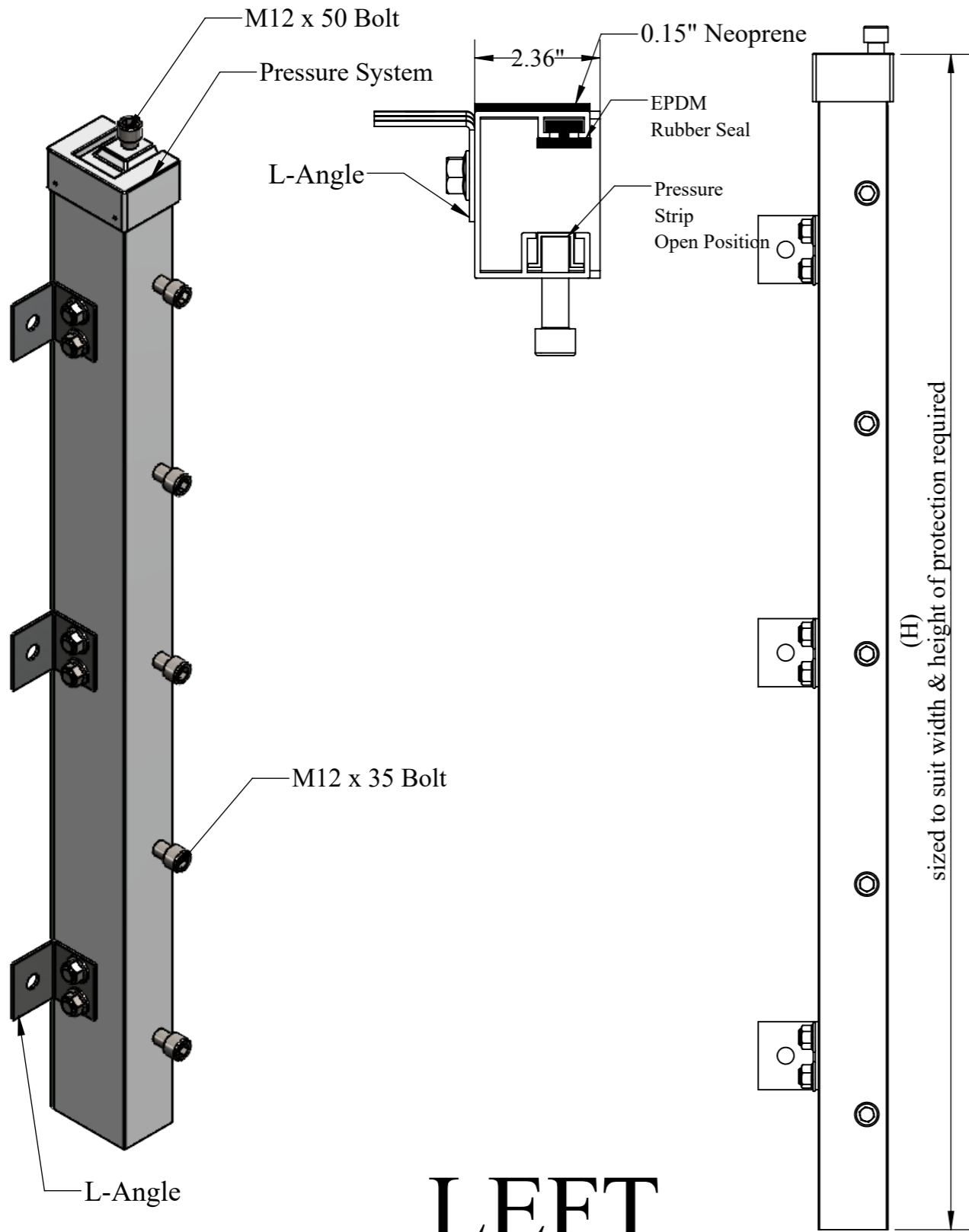
E

D

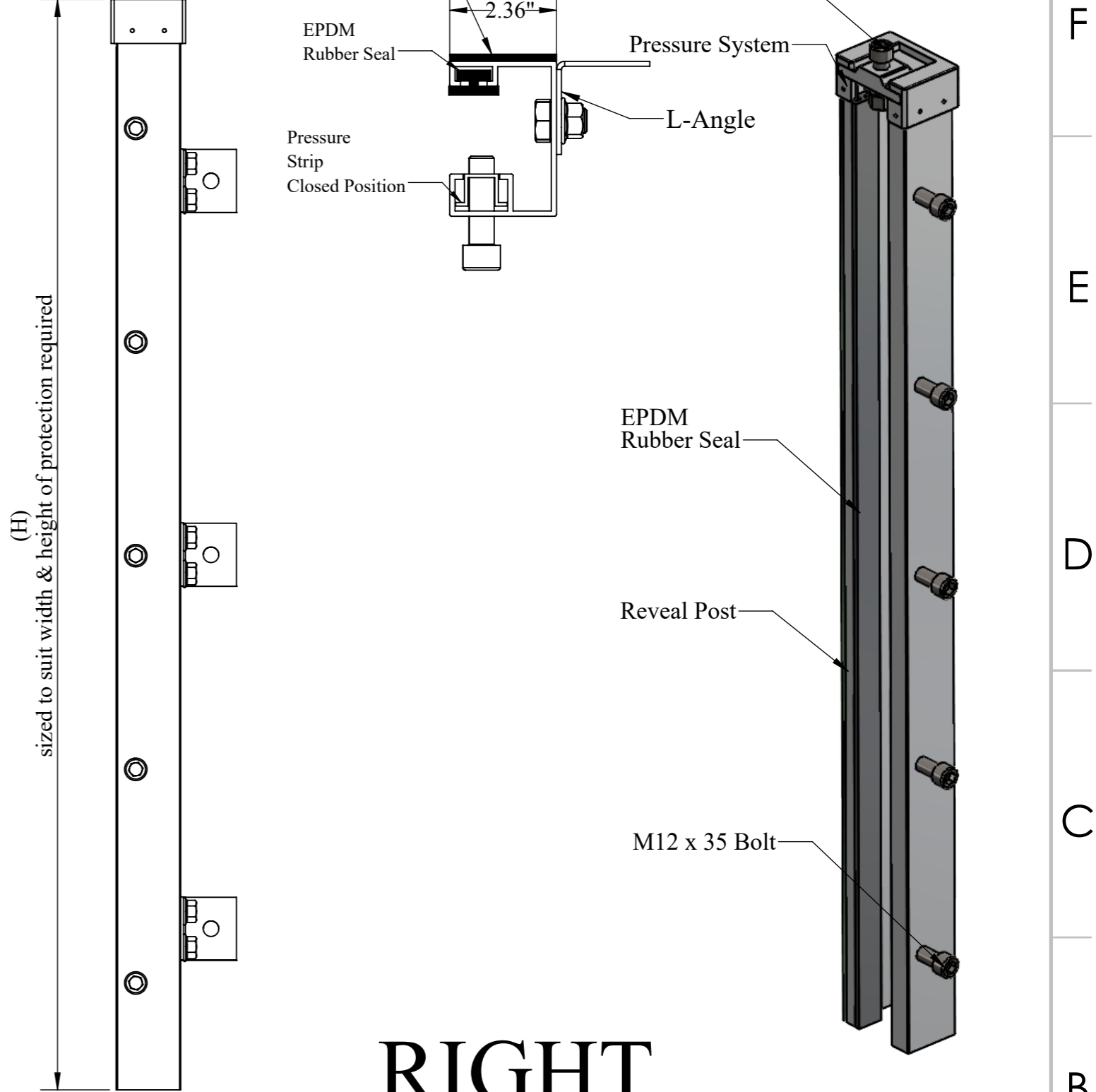
C

B

A



LEFT



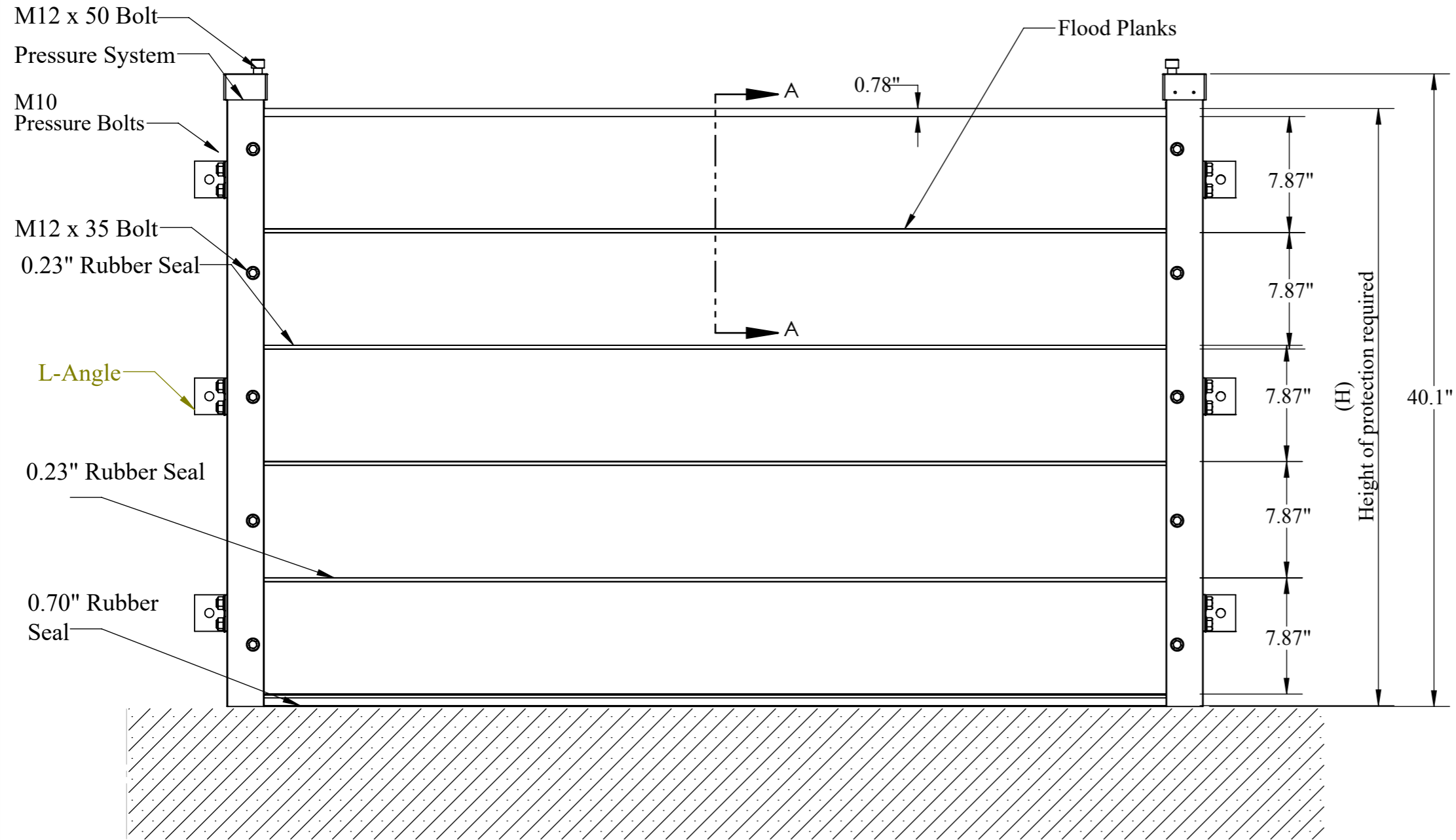
RIGHT

Garrison Systems, LLC.

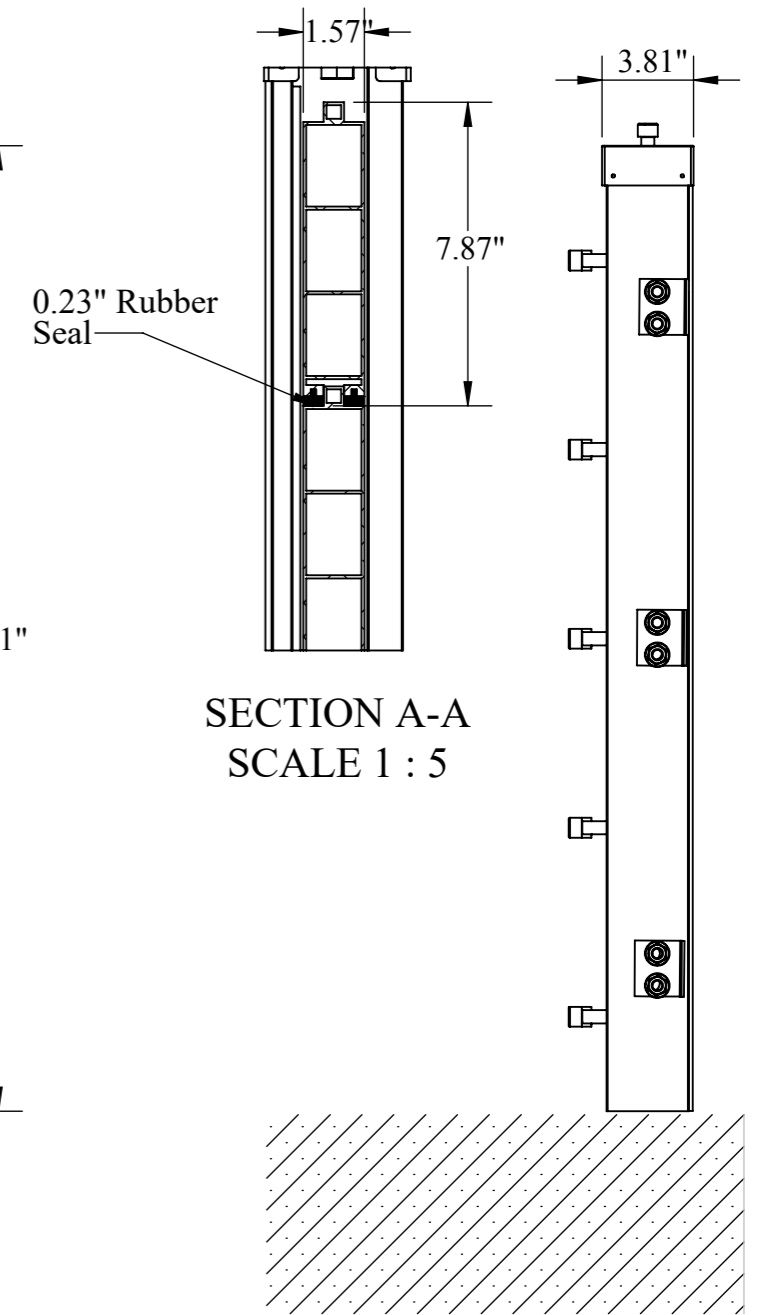
UNLESS OTHERWISE SPECIFIED: DIMENSIONS ARE IN INCHES SURFACE FINISH: TOLERANCES: LINEAR: ANGULAR:		FINISH:		DEBURR AND BREAK SHARP EDGES		DO NOT SCALE DRAWING		REVISION	
						All units are in Inches			
						TITLE:			
						Hammerhead™ Outside Mount			
						DWG NO.		A3	
						SCALE:1:10		SHEET 2 OF 4	

8 7 6 5 4 3 2 1

8 7 6 5 4 3 2 1

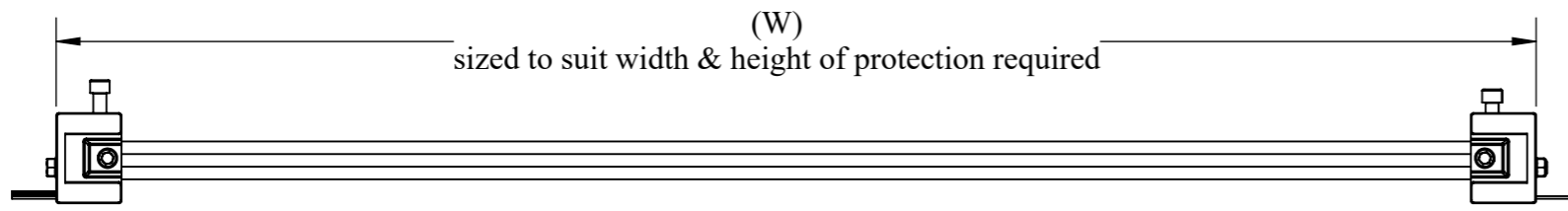


Front Elevation



Side Elevation

SECTION A-A
SCALE 1 : 5



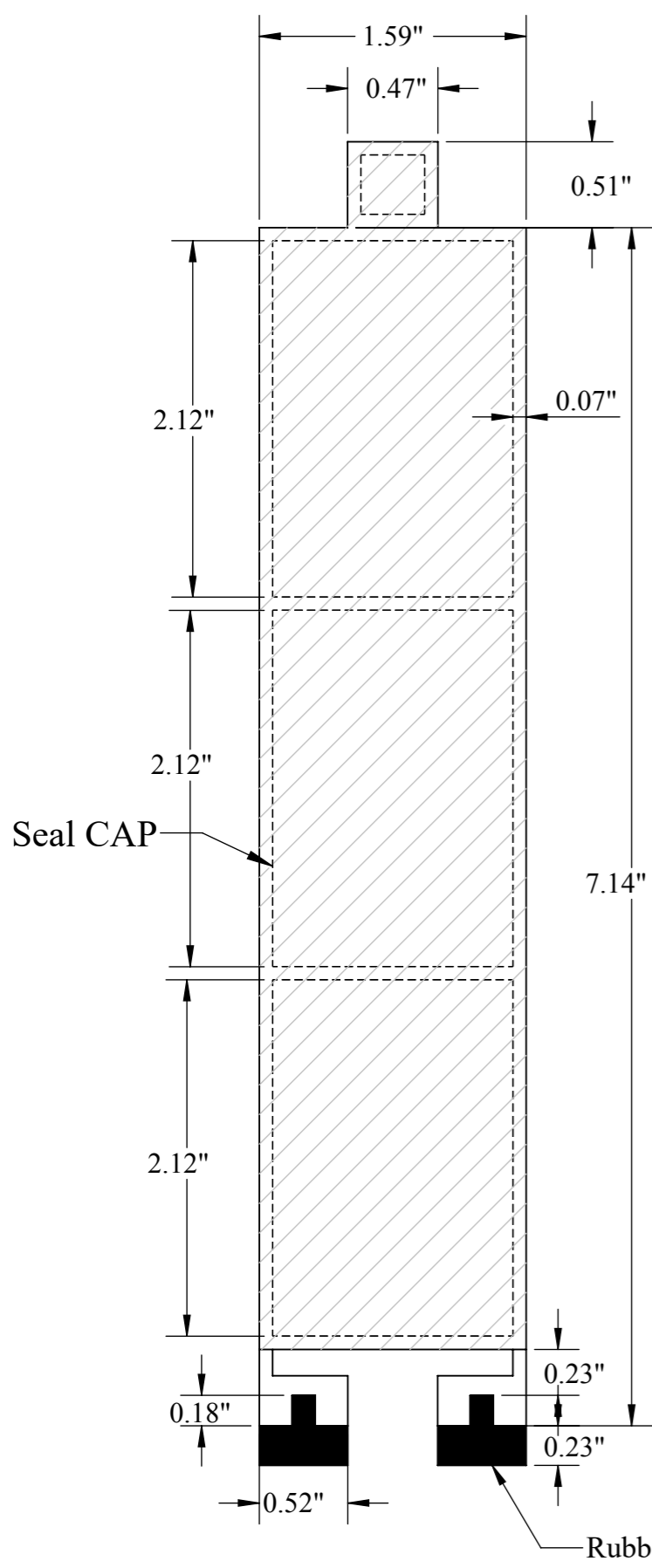
Top View

Garrison Systems, LLC.

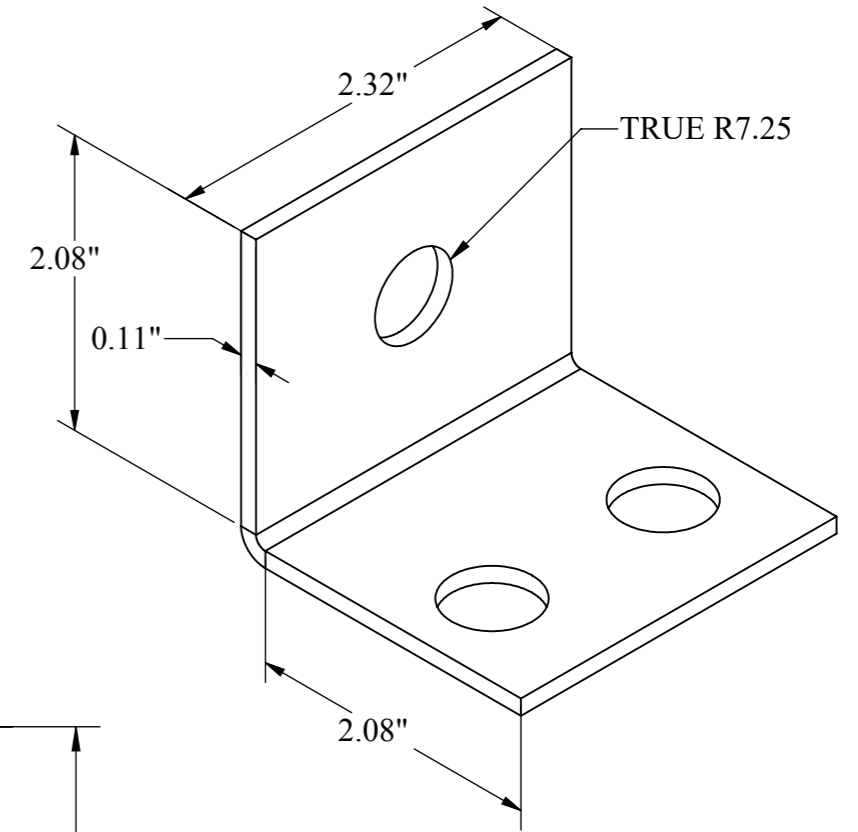
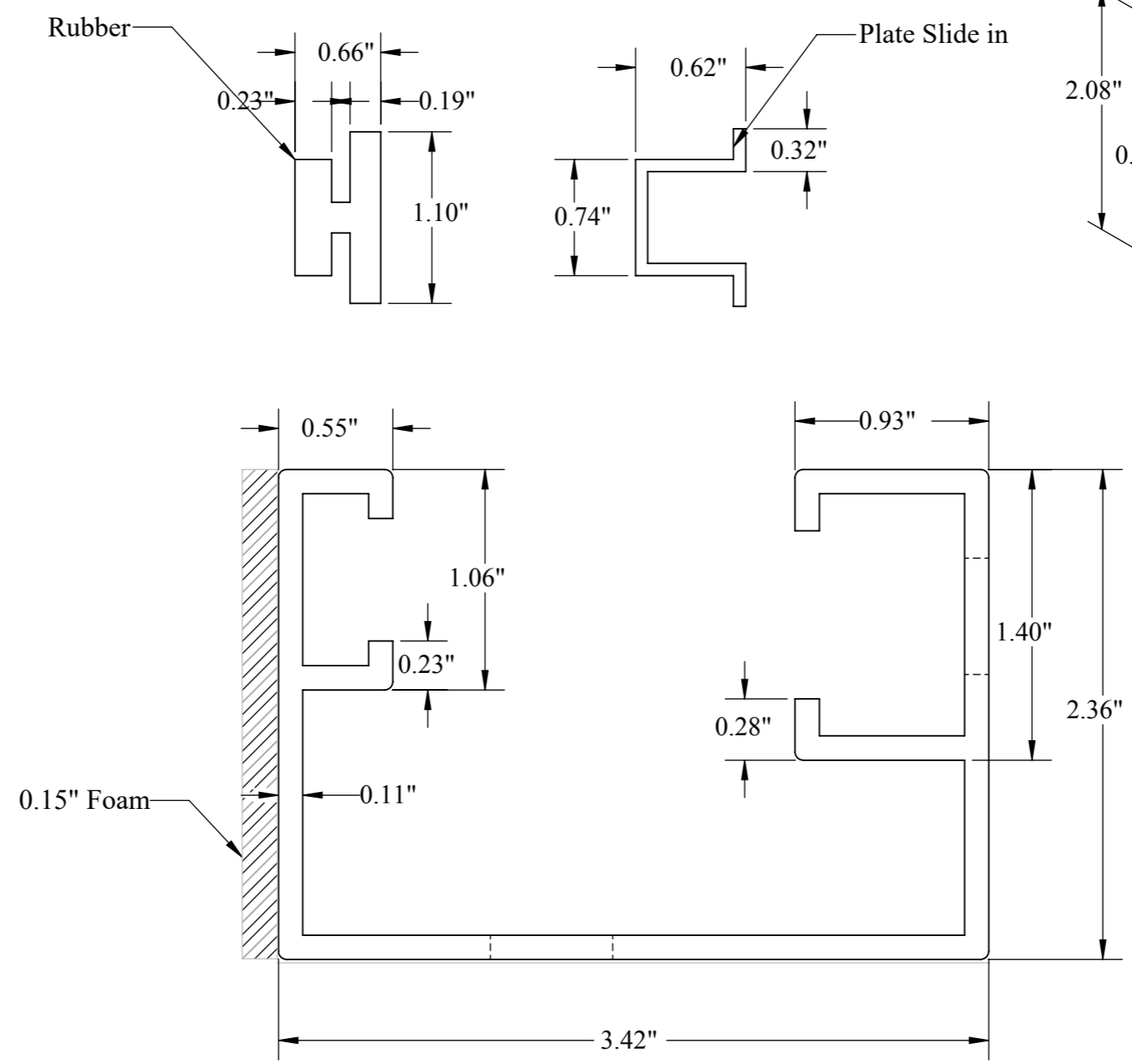
UNLESS OTHERWISE SPECIFIED: DIMENSIONS ARE IN INCHES SURFACE FINISH: TOLERANCES: LINEAR: ANGULAR:			FINISH:		DEBURR AND BREAK SHARP EDGES		DO NOT SCALE DRAWING		REVISION			
							All units are in Inches					
							TITLE: Hammerhead™ Outside Mount					
							DWG NO. Plan & Elevation				A3	
							WEIGHT:		SCALE:1:10		SHEET 1 OF 4	

8 7 6 5 4 3 2 1

PLANK



Post Profile

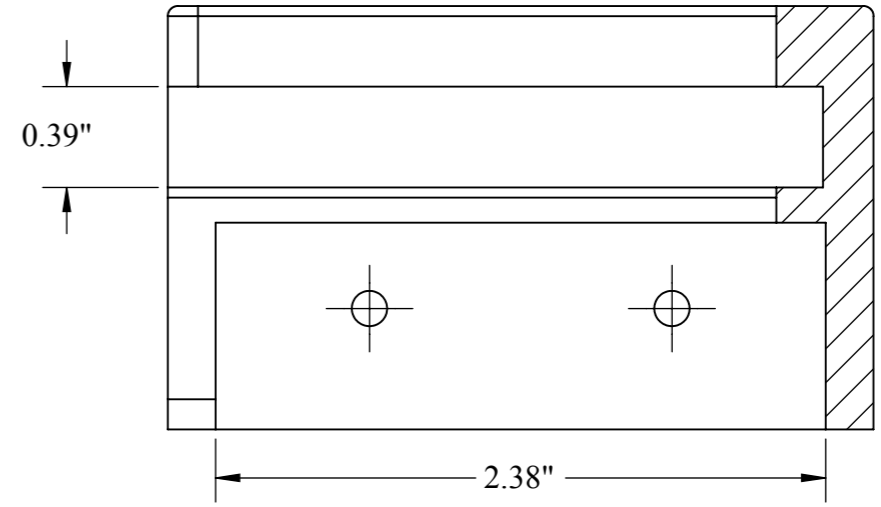
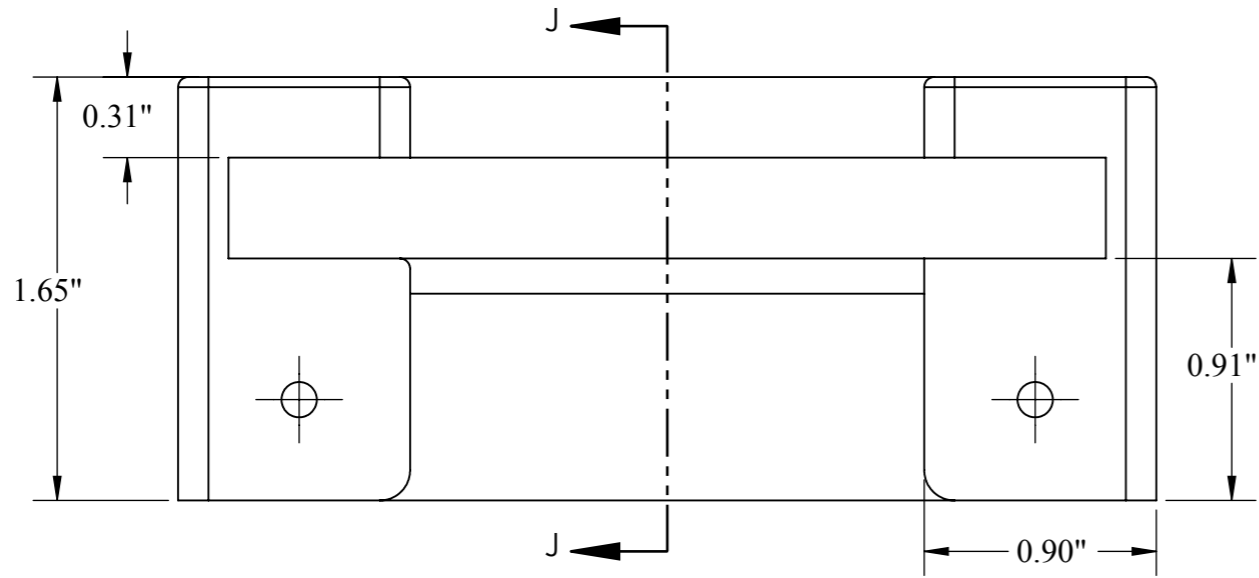


Garrison Systems, LLC.

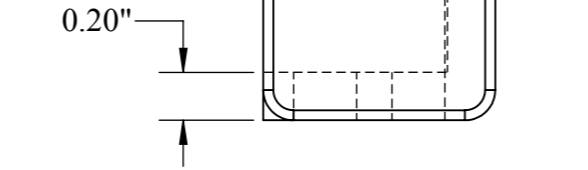
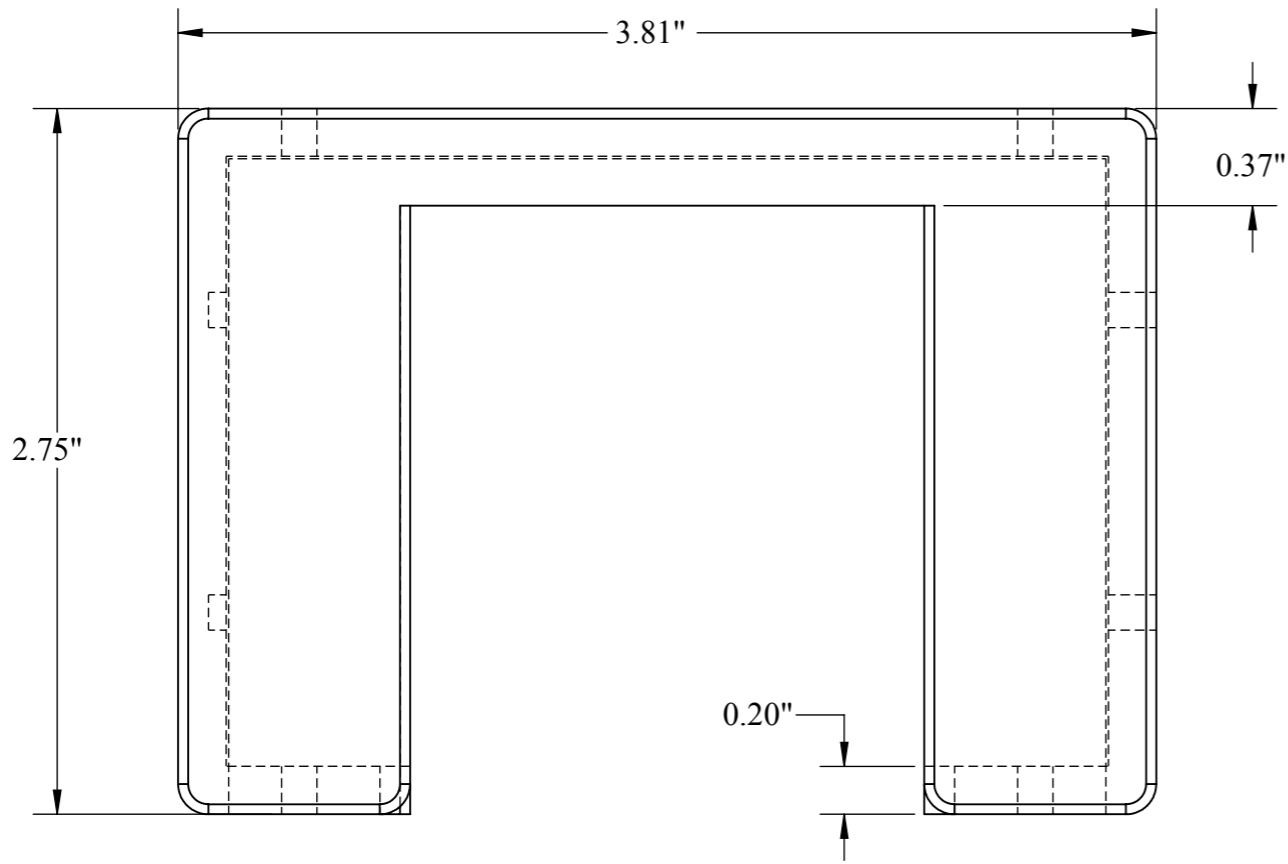
UNLESS OTHERWISE SPECIFIED: DIMENSIONS ARE IN INCHES SURFACE FINISH: TOLERANCES: LINEAR: ANGULAR:				FINISH:		DEBURR AND BREAK SHARP EDGES		DO NOT SCALE DRAWING		REVISION	
								All units are in Inches			
								TITLE: Hammerhead™ Outside Mount			
								DWG NO. Profile and Bracket		A3	
								SCALE:1:10		SHEET 3 OF 4	

	NAME	SIGNATURE	DATE						
DRAWN									
CHK'D									
APPV'D									
MFG									
Q.A									
						MATERIAL:			
						WEIGHT:			

POST PROFILE CAP



SECTION J-J
SCALE 1 : 0.75



Garrison Systems, LLC.

UNLESS OTHERWISE SPECIFIED: DIMENSIONS ARE IN INCHES SURFACE FINISH: TOLERANCES: LINEAR: ANGULAR:			FINISH:		DEBURR AND BREAK SHARP EDGES		DO NOT SCALE DRAWING		REVISION			
							All units are in Inches					
							TITLE: Hammerhead™ Outside Mount					
							DWG NO. Post Top Cap				A3	
							SCALE:1:10		SHEET 4 OF 4			

	NAME	SIGNATURE	DATE						
DRAWN									
CHK'D									
APPV'D									
MFG									
Q.A						MATERIAL:			
						WEIGHT:			

8 7 6 5 4 3 2 1

F

F

E

E

D

D

C

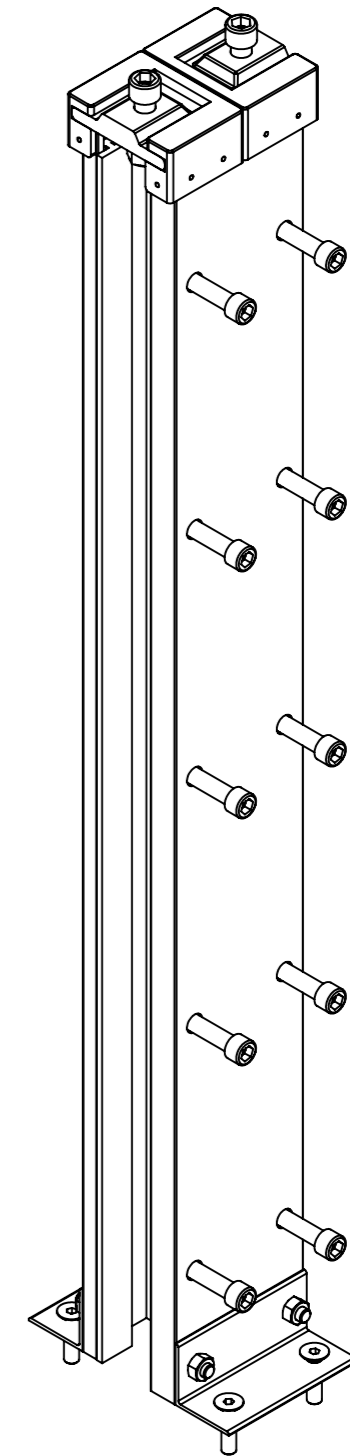
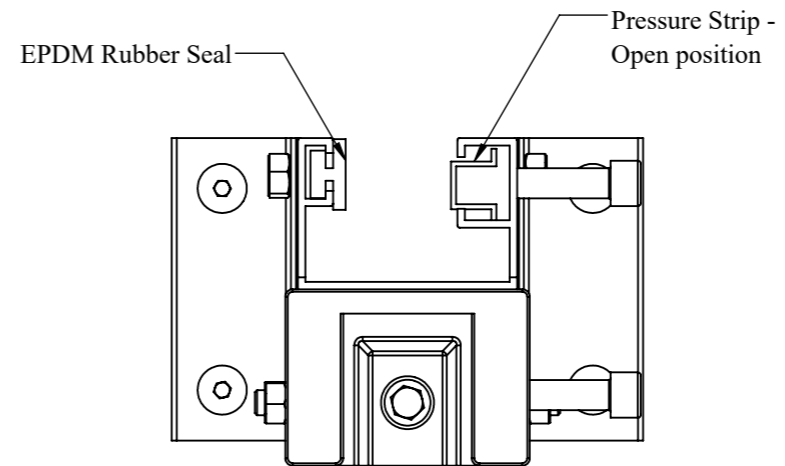
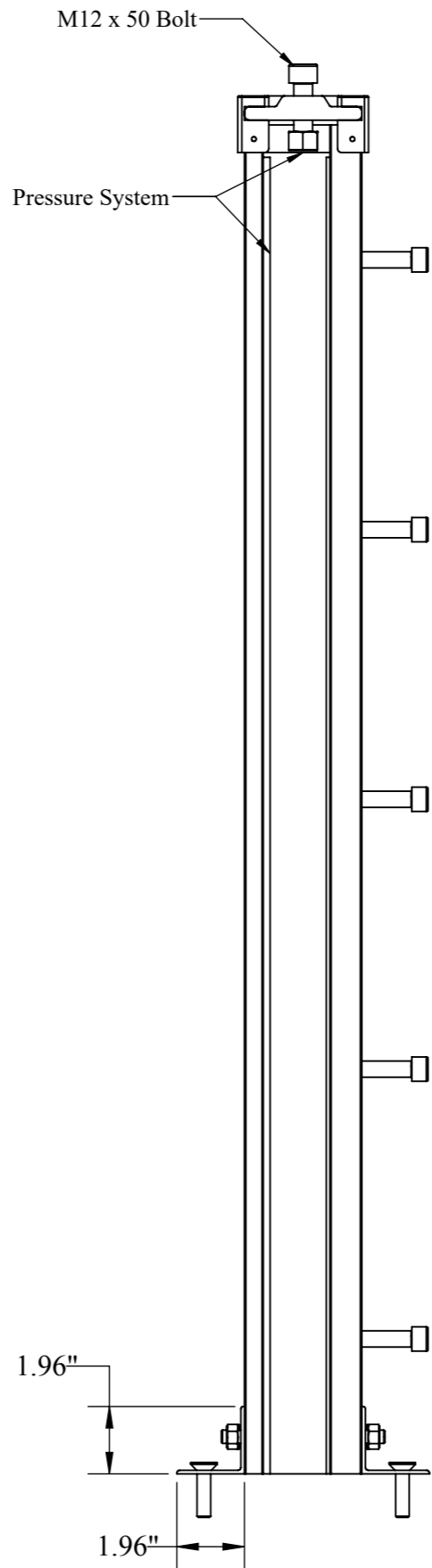
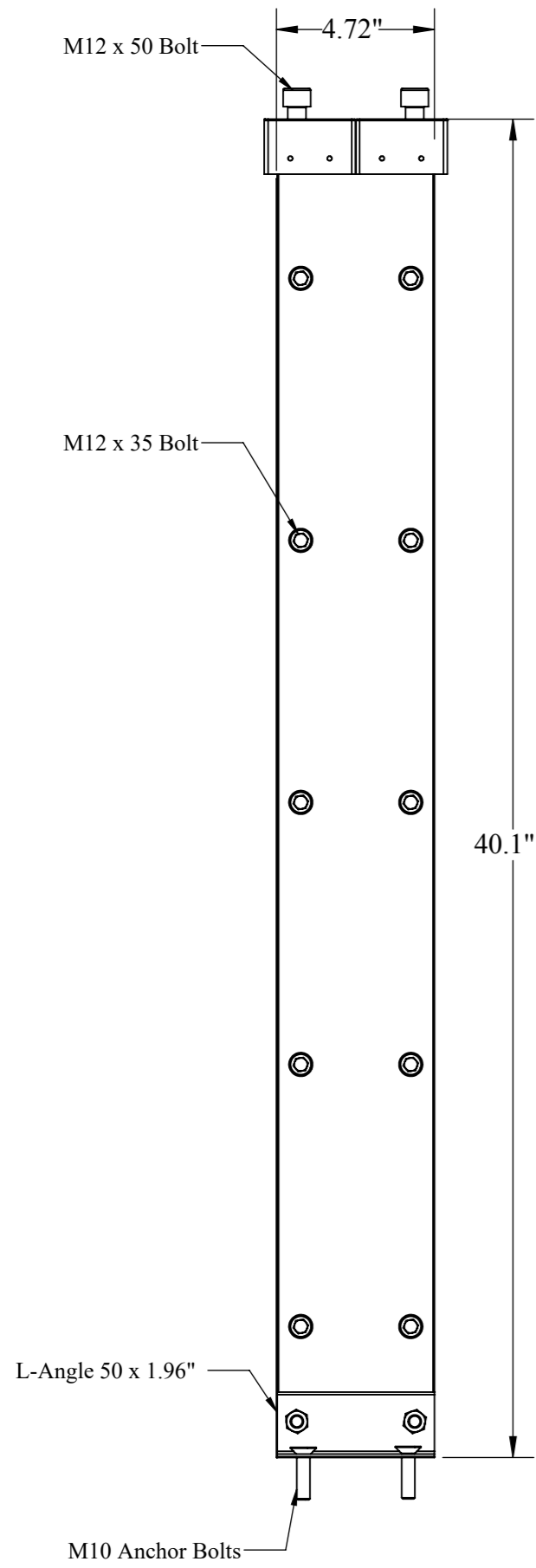
C

B

B

A

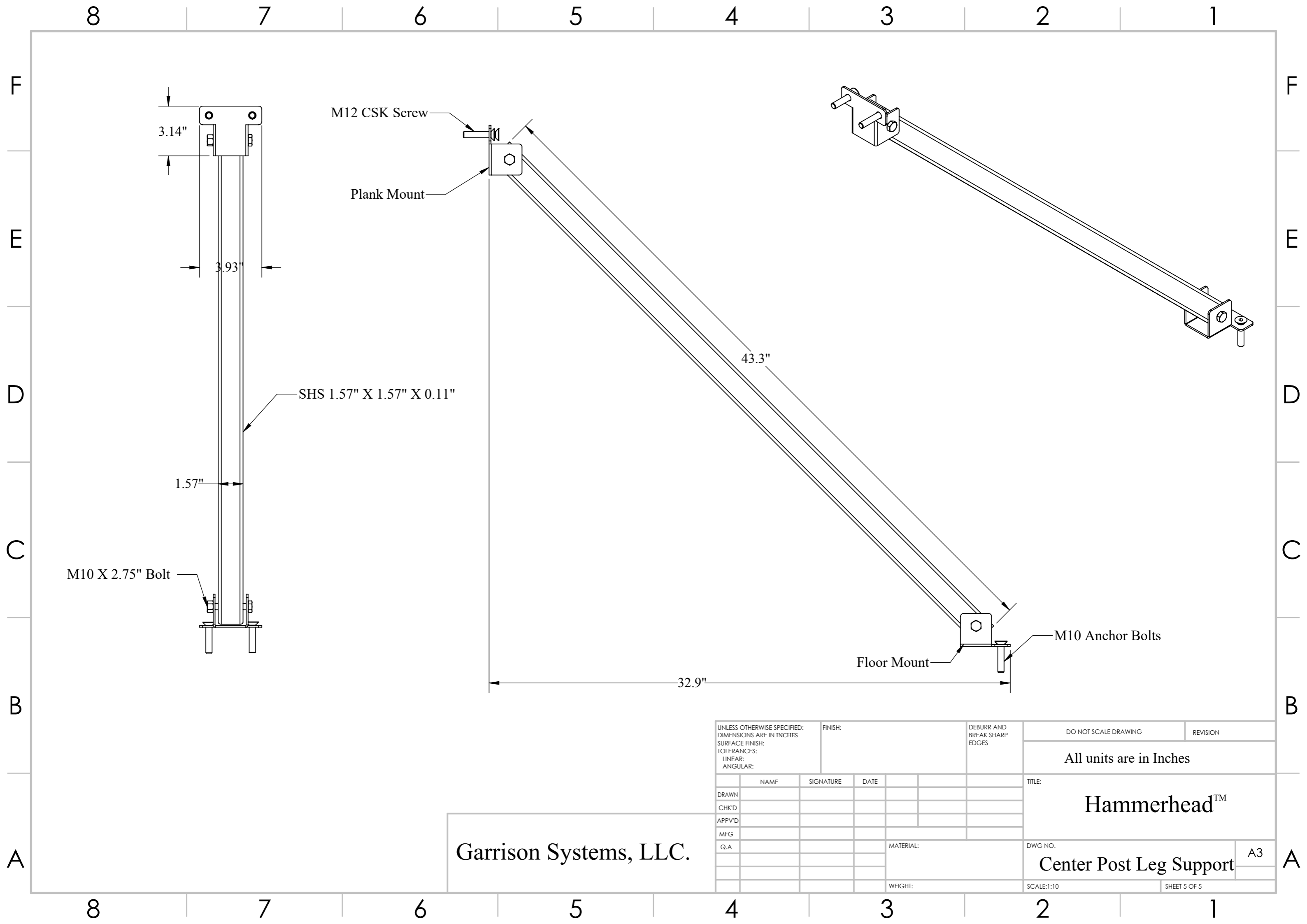
A



UNLESS OTHERWISE SPECIFIED: DIMENSIONS ARE IN INCHES SURFACE FINISH: TOLERANCES: LINEAR: ANGULAR:				FINISH:		DEBURR AND BREAK SHARP EDGES		DO NOT SCALE DRAWING		REVISION			
								All units are in Inches					
								TITLE: Hammerhead™					
								DWG NO.		Center Post Detail		A3	
								SCALE:1:10		SHEET 2 OF 5			

Garrison Systems, LLC.

8 7 6 5 4 3 2 1



M10 X 2.75" Bolt

M12 CSK Screw

Plank Mount

SHS 1.57" X 1.57" X 0.11"

Floor Mount

M10 Anchor Bolts

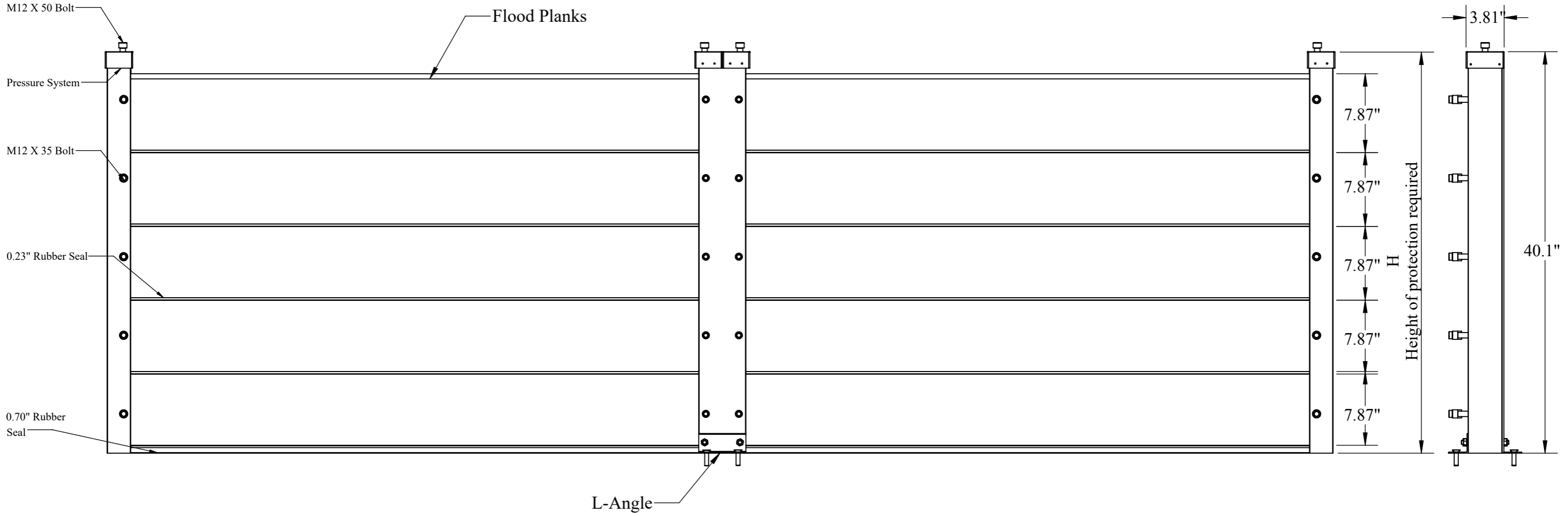
Garrison Systems, LLC.

UNLESS OTHERWISE SPECIFIED: DIMENSIONS ARE IN INCHES SURFACE FINISH: TOLERANCES: LINEAR: ANGULAR:			FINISH:		DEBURR AND BREAK SHARP EDGES		DO NOT SCALE DRAWING		REVISION			
							All units are in Inches					
							TITLE: Hammerhead™					
							DWG NO. Center Post Leg Support				A3	
							WEIGHT:		SCALE:1:10		SHEET 5 OF 5	

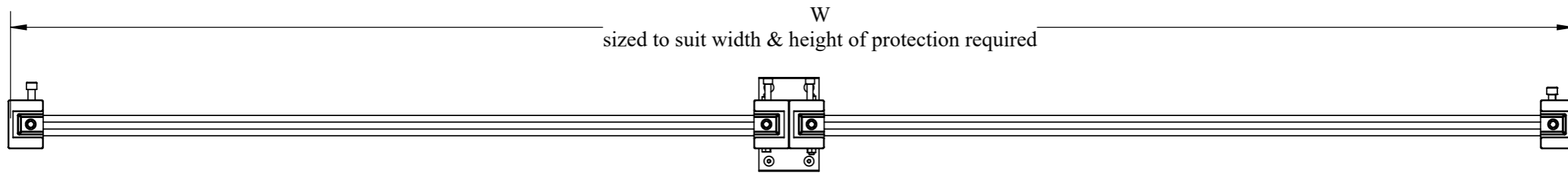
8 7 6 5 4 3 2 1

Front Elevation

Side Elevation



Top View



UNLESS OTHERWISE SPECIFIED: DIMENSIONS ARE IN INCHES SURFACE FINISH: TOLERANCES: LINEAR: ANGULAR:			FINISH:		DEBURR AND BREAK SHARP EDGES		DO NOT SCALE DRAWING		REVISION			
							All units are in Inches					
							TITLE: Hammerhead™					
							DWG NO. Center Post Assembly			A3		
							WEIGHT:		SCALE:1:10		SHEET 1 OF 5	

Garrison Systems, LLC.

8 7 6 5 4 3 2 1

8 7 6 5 4 3 2 1

F

F

E

E

D

D

C

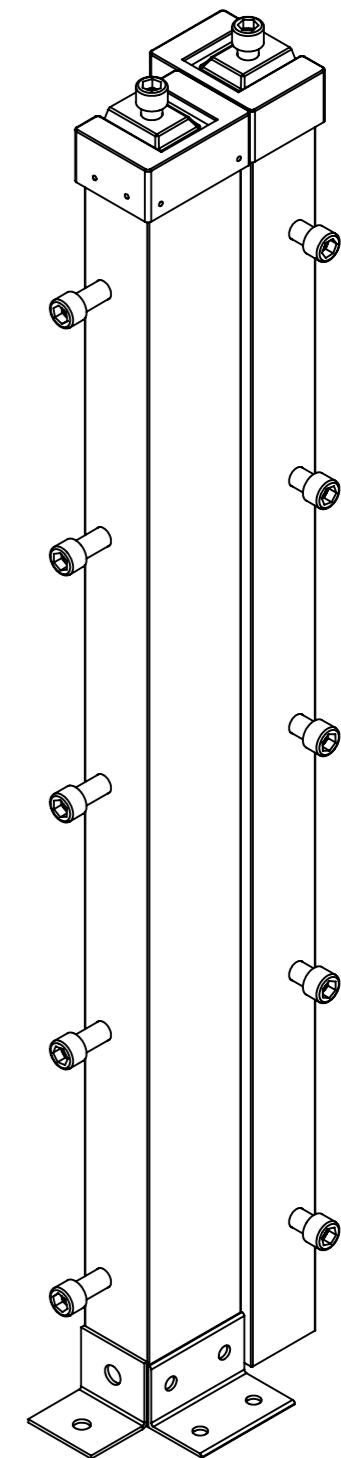
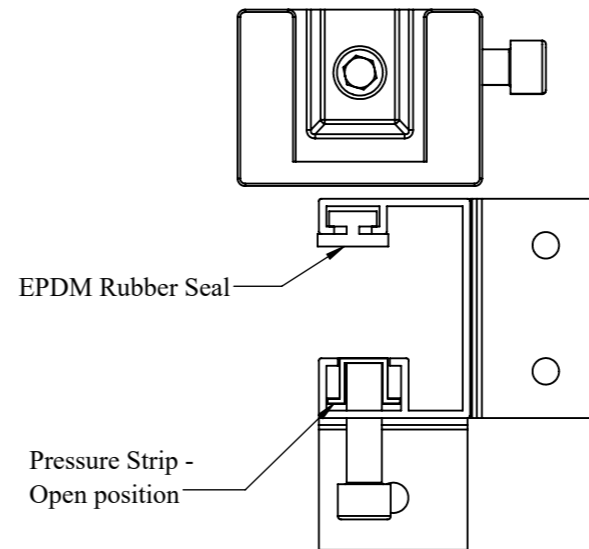
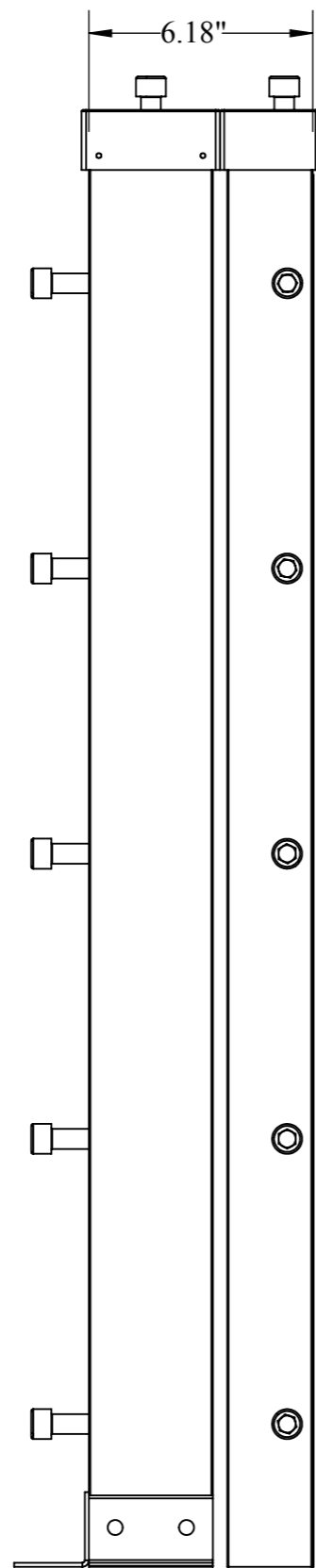
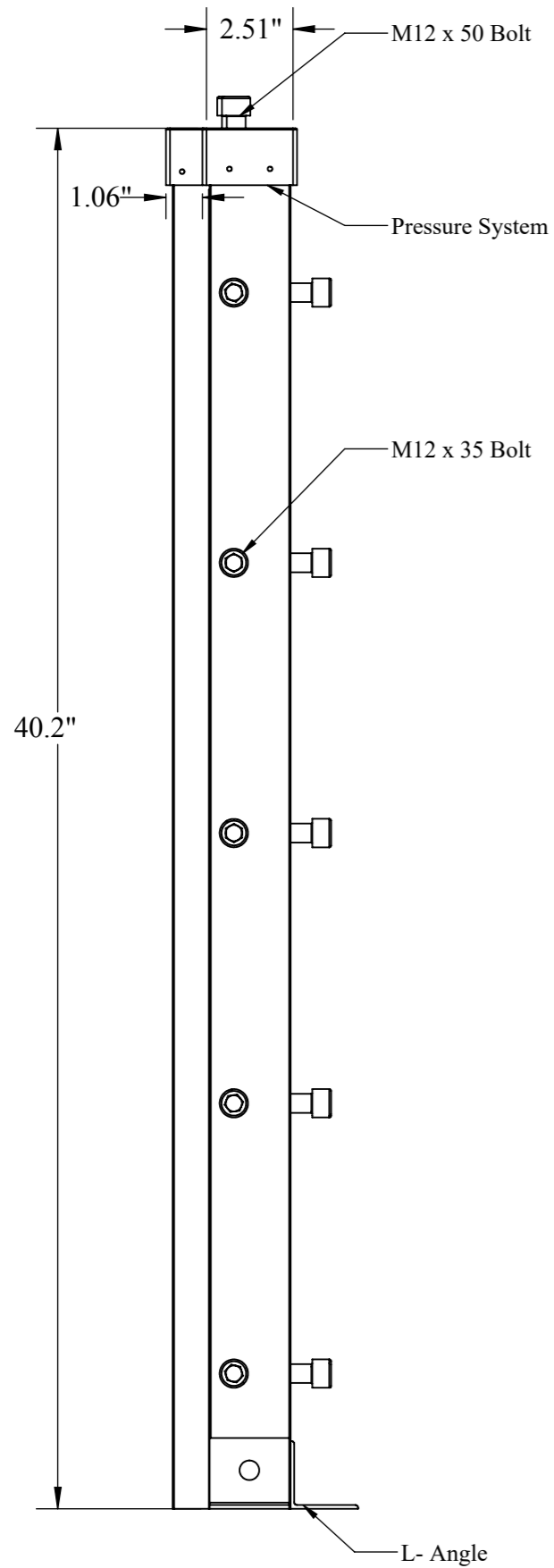
C

B

B

A

A

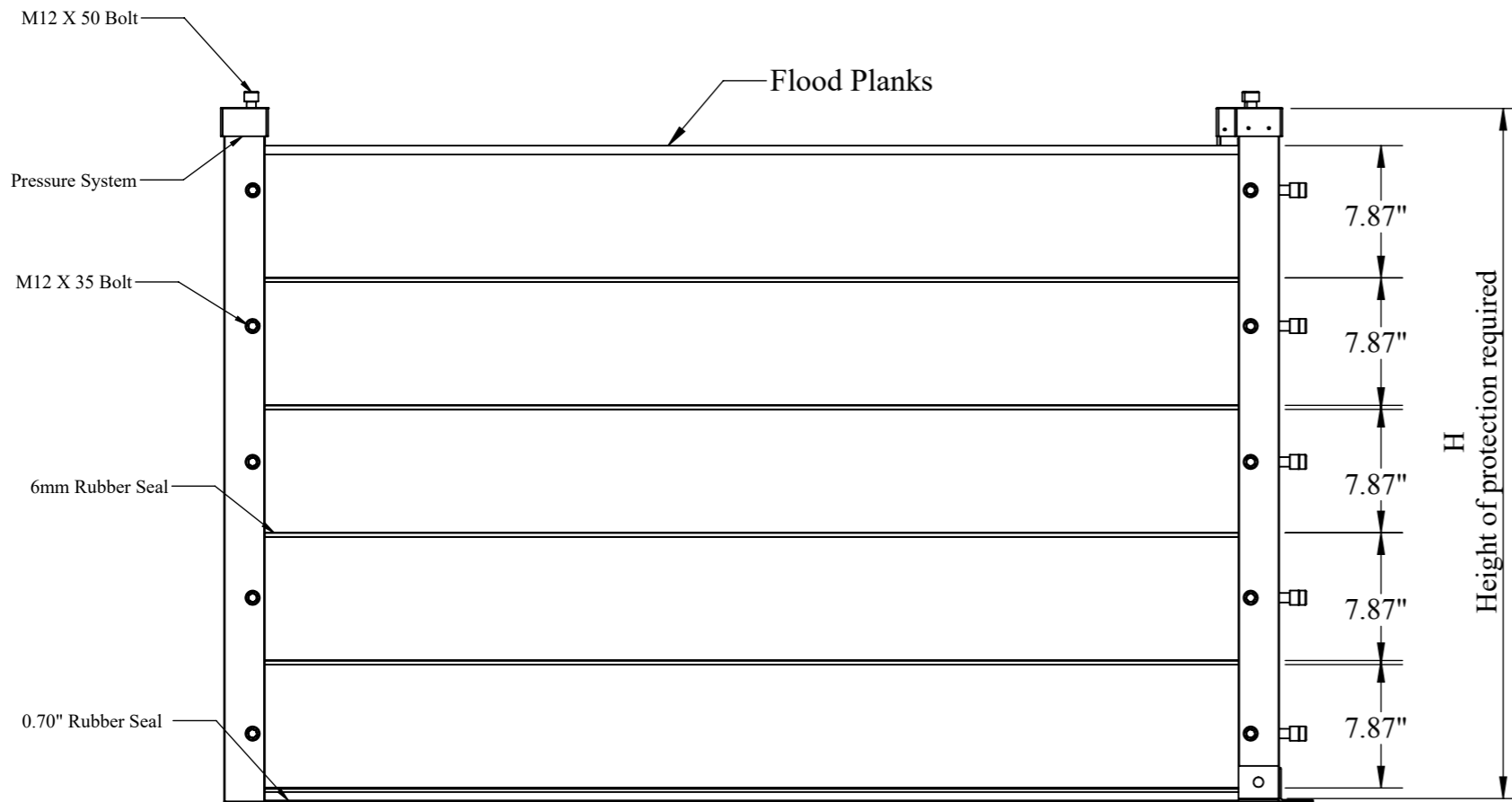


Garrison Systems, LLC.

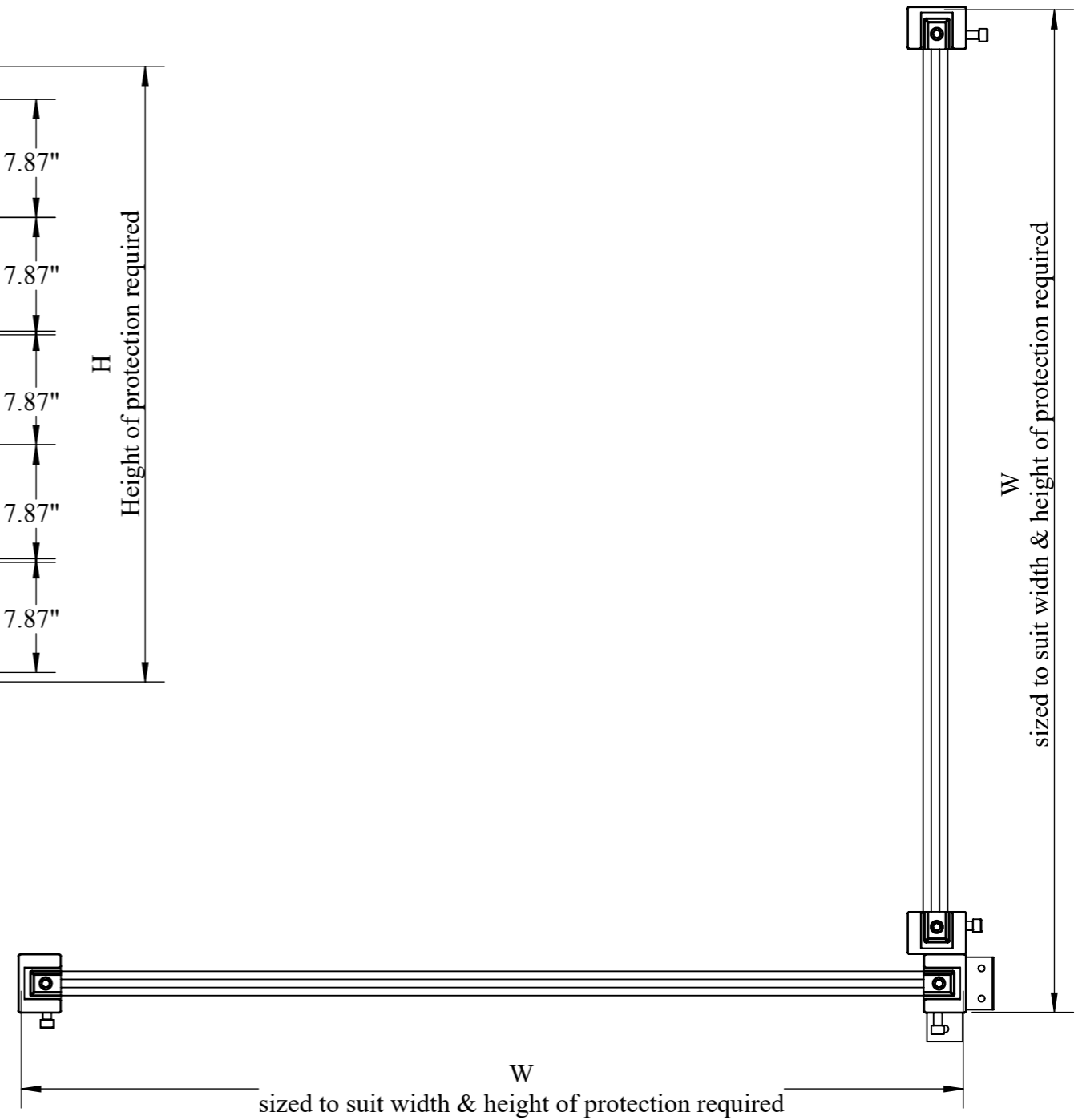
UNLESS OTHERWISE SPECIFIED: DIMENSIONS ARE IN INCHES SURFACE FINISH: TOLERANCES: LINEAR: ANGULAR:		FINISH:		DEBURR AND BREAK SHARP EDGES		DO NOT SCALE DRAWING		REVISION	
						All units are in Inches			
						TITLE:			
						Hammerhead™			
						DWG NO.		A3	
						SCALE:1:10		SHEET 4 OF 5	

8 7 6 5 4 3 2 1

Front Elevation



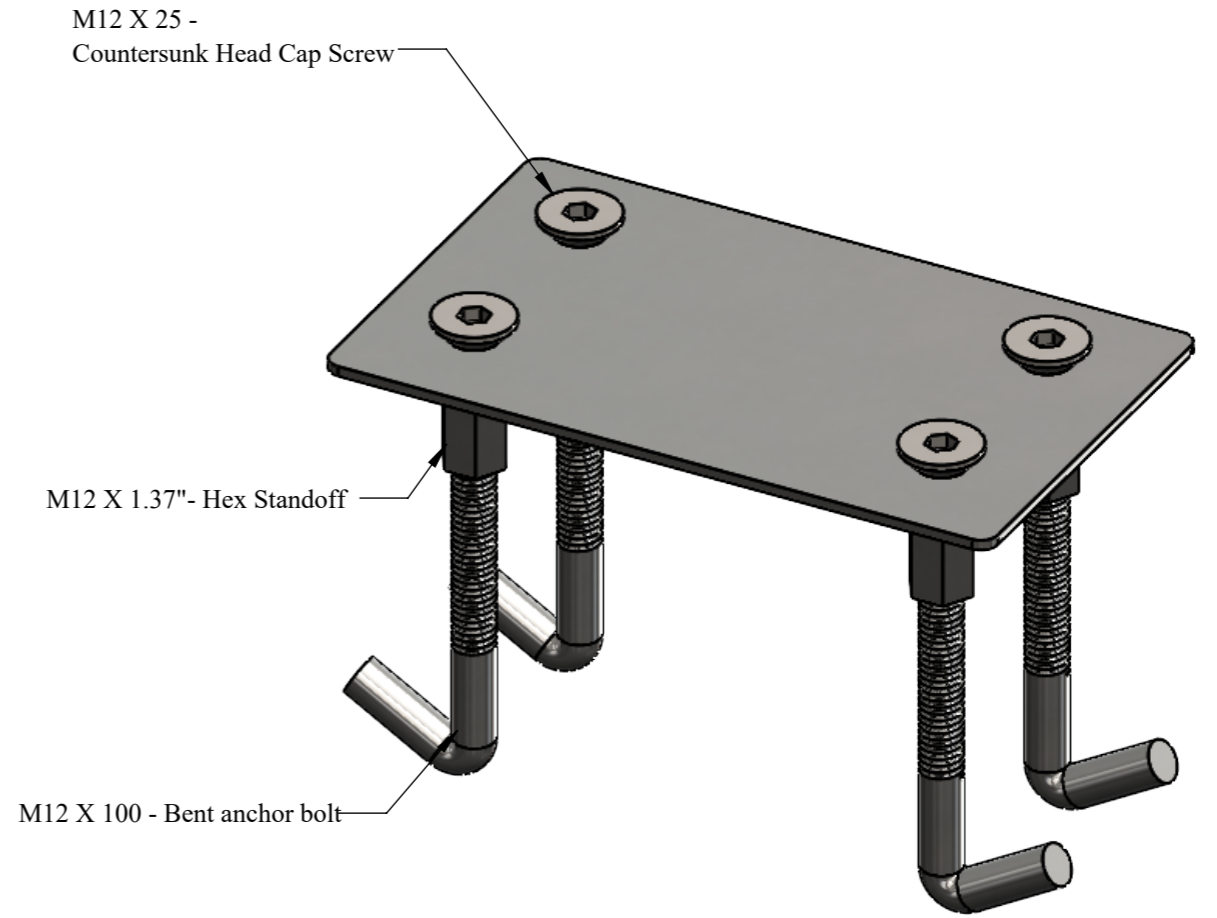
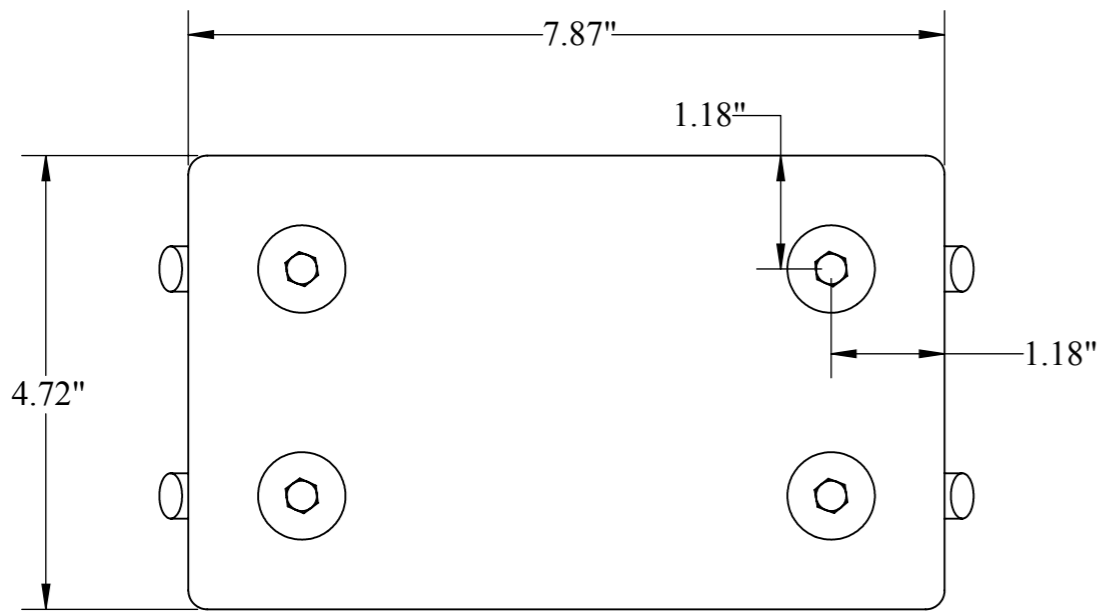
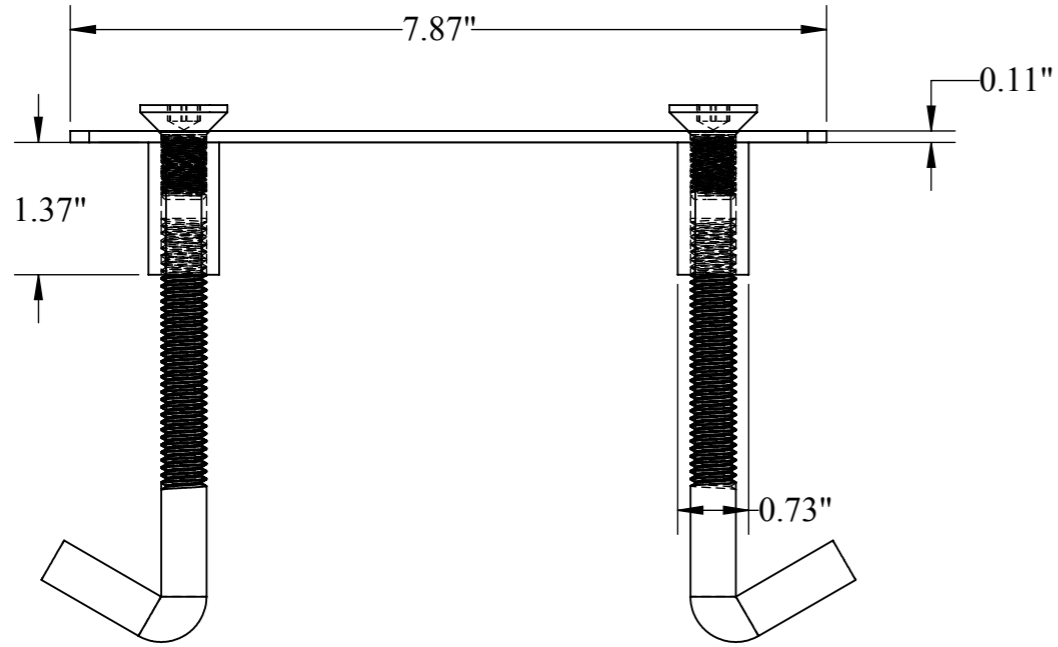
Top View



UNLESS OTHERWISE SPECIFIED: DIMENSIONS ARE IN INCHES SURFACE FINISH: TOLERANCES: LINEAR: ANGULAR:		FINISH:		DEBURR AND BREAK SHARP EDGES		DO NOT SCALE DRAWING		REVISION	
						All units are in Inches			
						TITLE: Hammerhead™			
						DWG NO. 90 Degree Post Assembly		A3	
						WEIGHT:		SCALE:1:10	
						SHEET 3 OF 5			

Garrison Systems, LLC.

8 7 6 5 4 3 2 1



UNLESS OTHERWISE SPECIFIED: DIMENSIONS ARE IN INCHES SURFACE FINISH: TOLERANCES: LINEAR: ANGULAR:			FINISH:		DEBURR AND BREAK SHARP EDGES		DO NOT SCALE DRAWING		REVISION		
							All units are in Inches				
							TITLE: Hammerhead™				
							DWG NO. Large Base Plate				A3
							SCALE:1:2		SHEET 1 OF 1		

Garrison Systems, LLC.

8 7 6 5 4 3 2 1

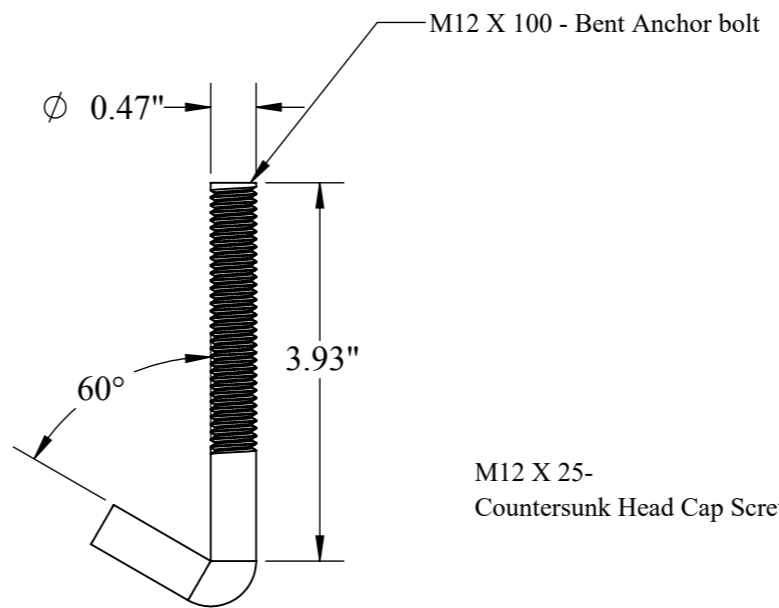
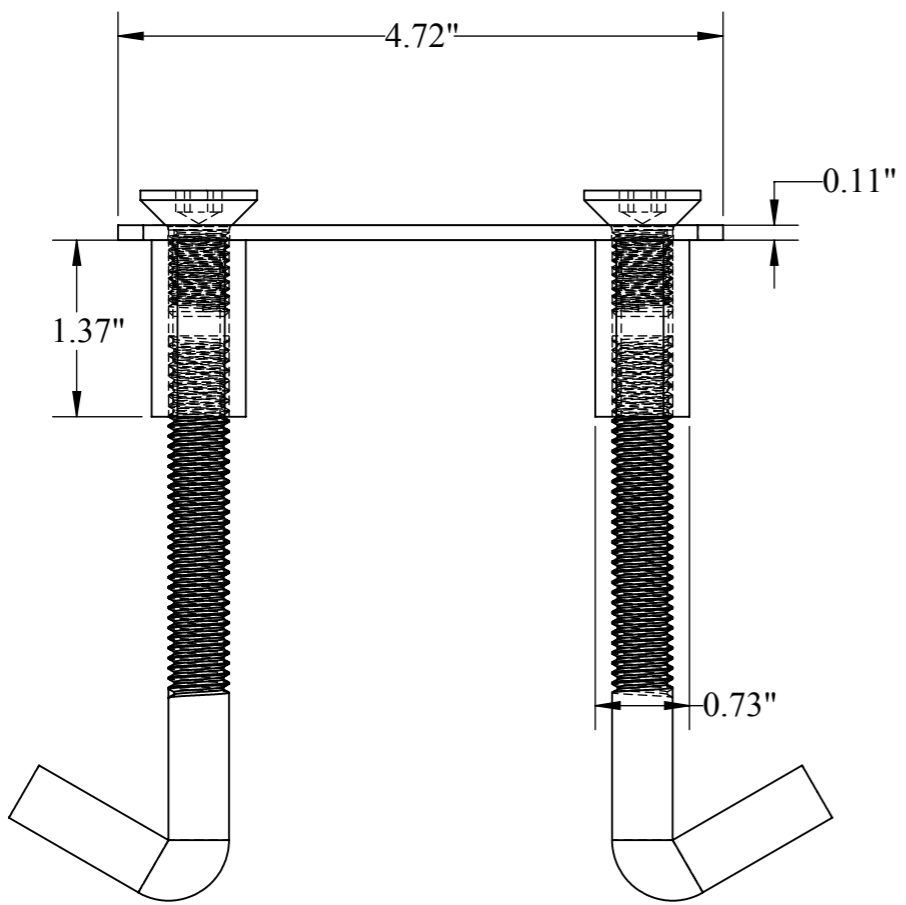
F
E
D
C
B
A

F
E
D
C
B
A

8 7 6 5 4 3 2 1

F

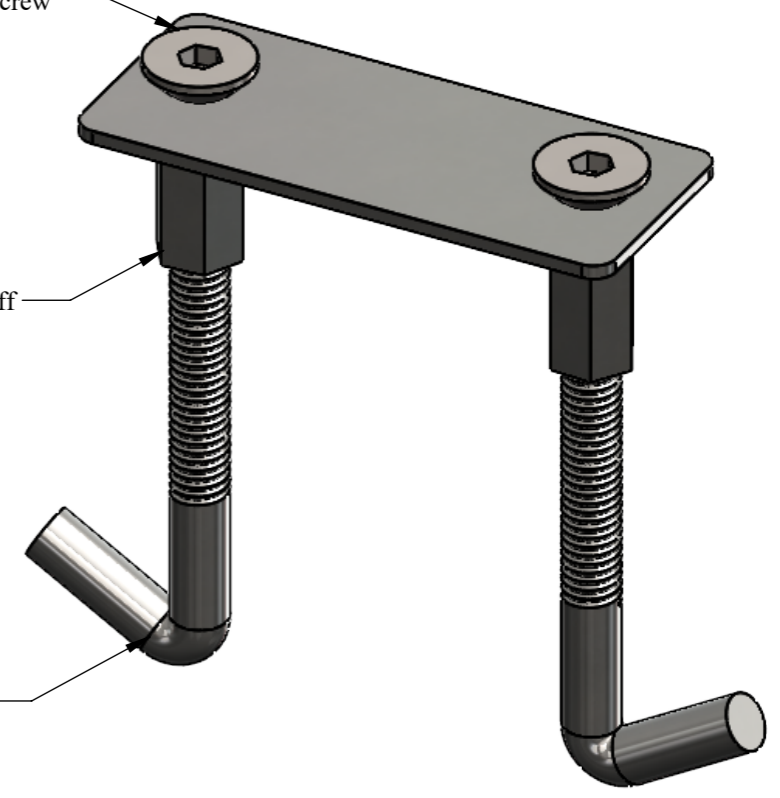
F



M12 X 25-
Countersunk Head Cap Screw

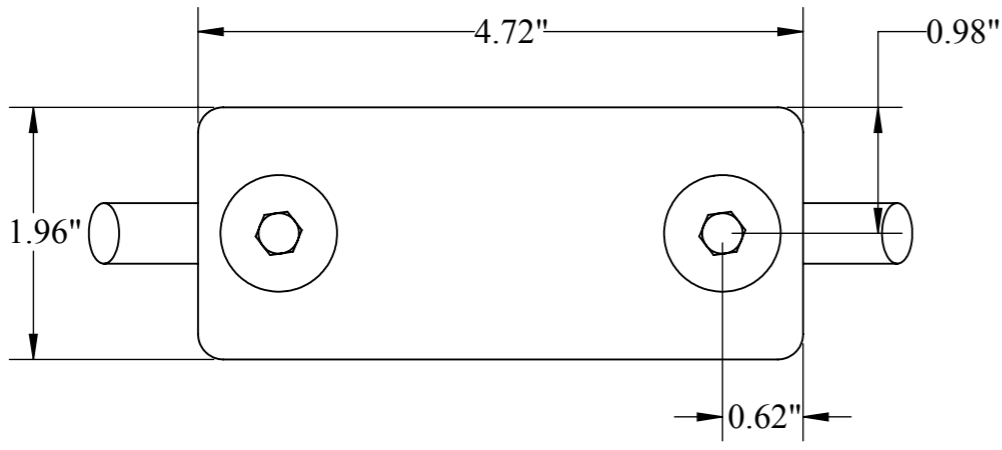
M12 X 1.37" - Hex Standoff

M12 X 100 - Bent anchor bolt



D

D



C

C

B

B

A

A

Garrison Systems, LLC.

UNLESS OTHERWISE SPECIFIED: DIMENSIONS ARE IN INCHES SURFACE FINISH: TOLERANCES: LINEAR: ANGULAR:			FINISH:		DEBURR AND BREAK SHARP EDGES		DO NOT SCALE DRAWING		REVISION			
							All units are in Inches					
							TITLE: Hammerhead™					
							DWG NO. Small Base Plate				A3	
							WEIGHT:		SCALE:1:2		SHEET 1 OF 1	
DRAWN		NAME		SIGNATURE		DATE						
CHK'D												
APPV'D												
MFG												
Q.A												
							MATERIAL: Stainless					

8 7 6 5 4 3 2 1