

8 7 6 5 4 3 2 1

F

F

E

E

D

D

C

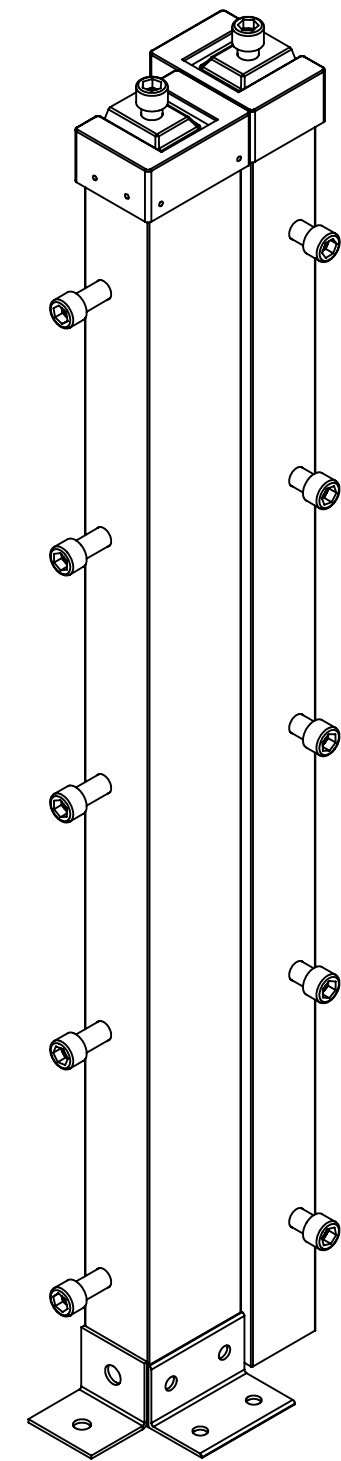
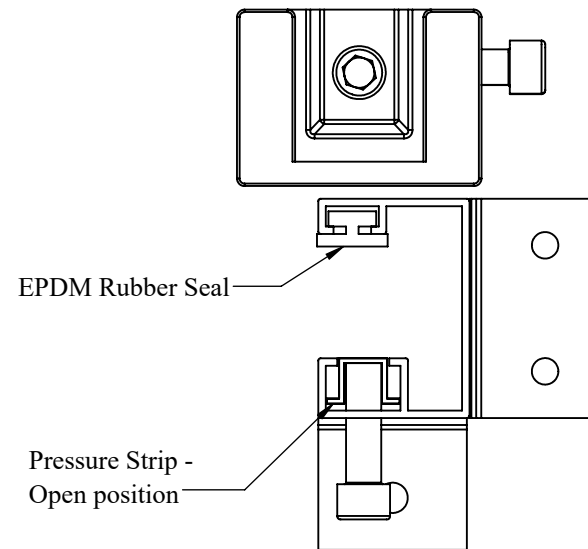
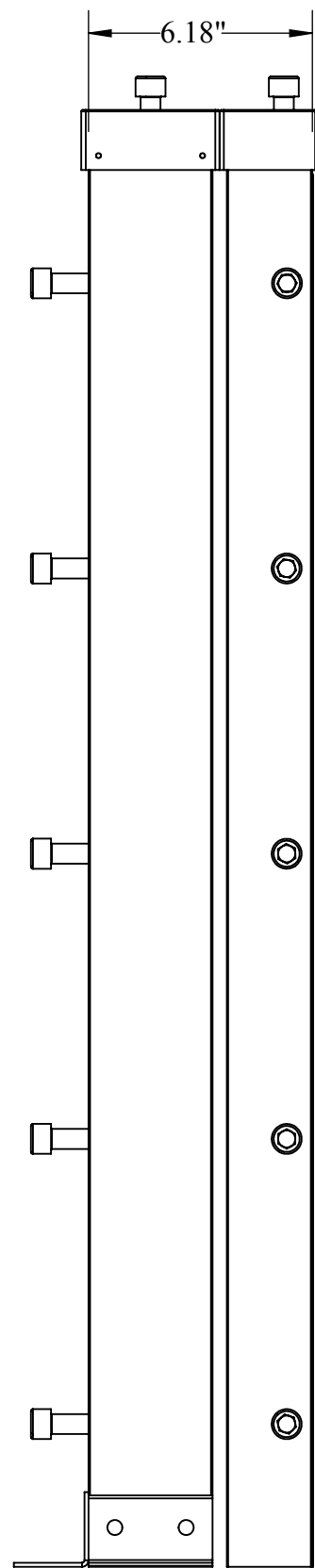
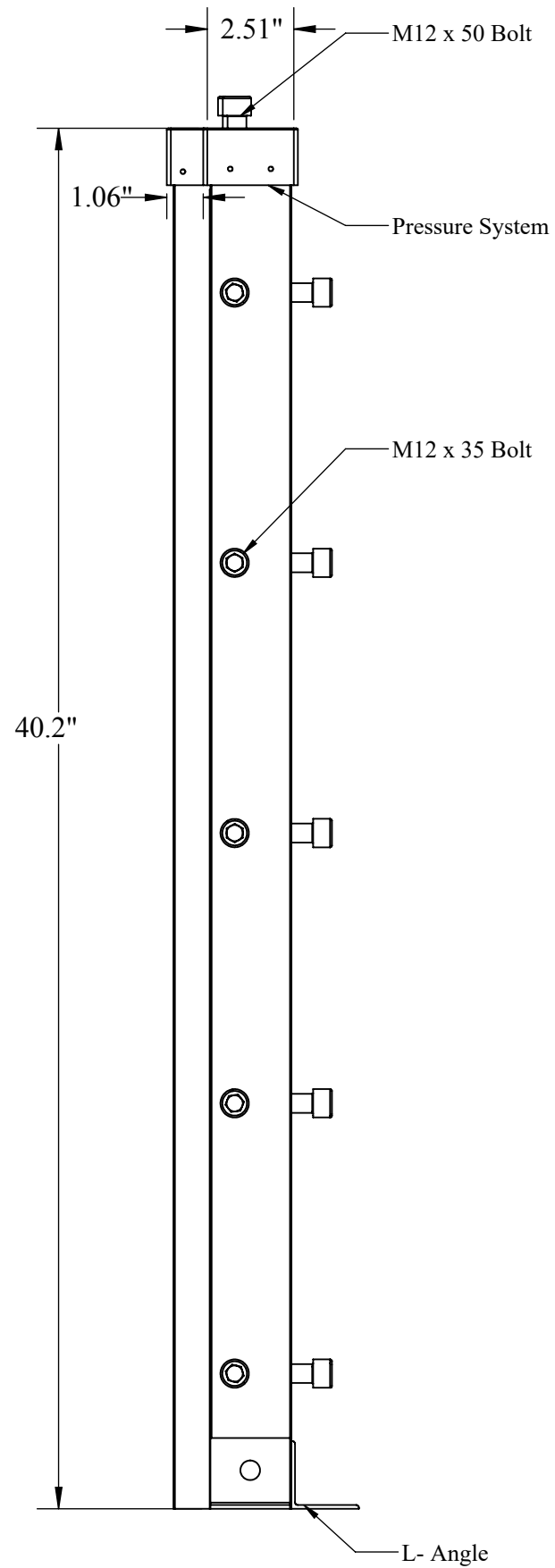
C

B

B

A

A

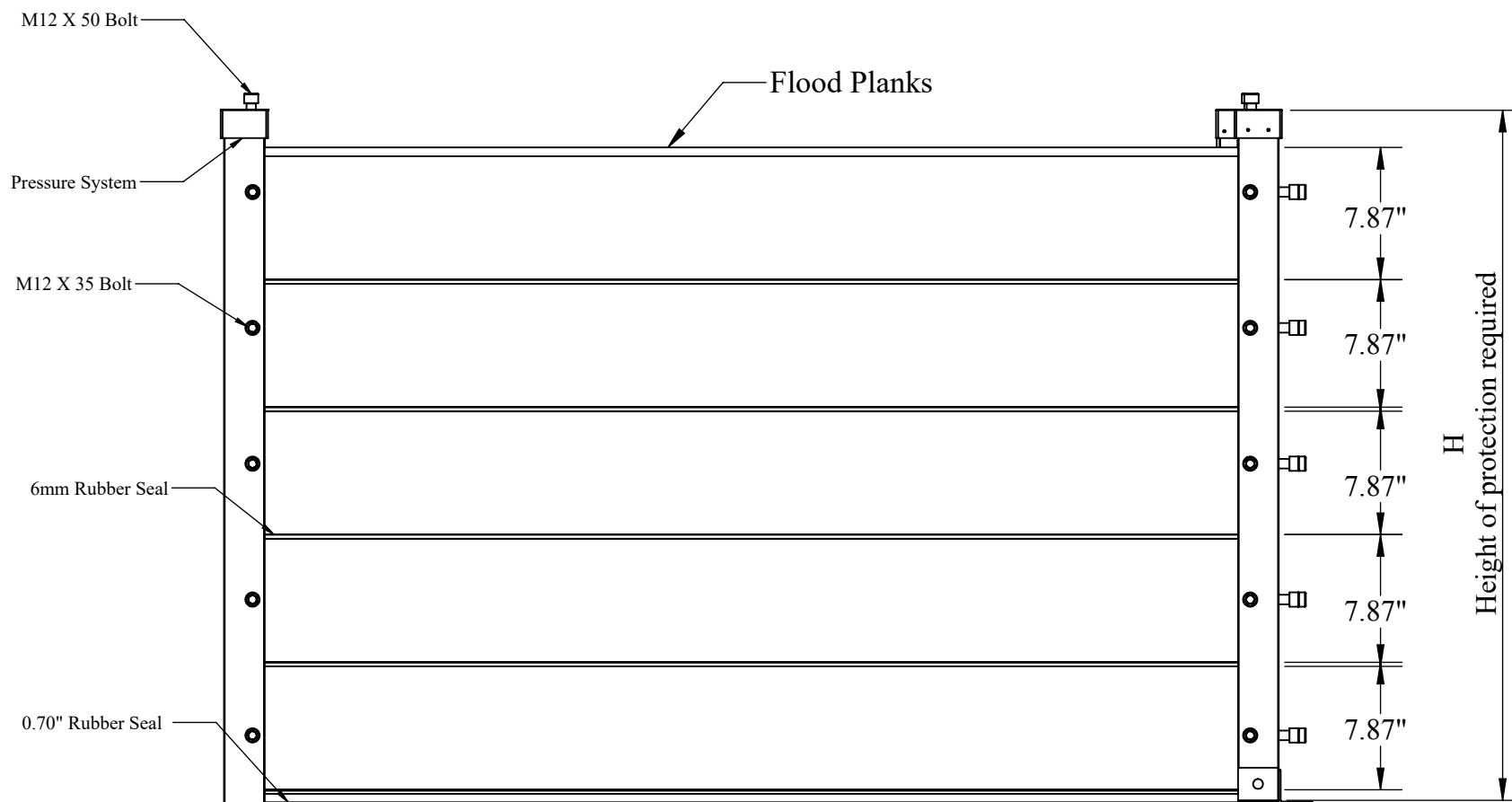


Garrison Systems, LLC.

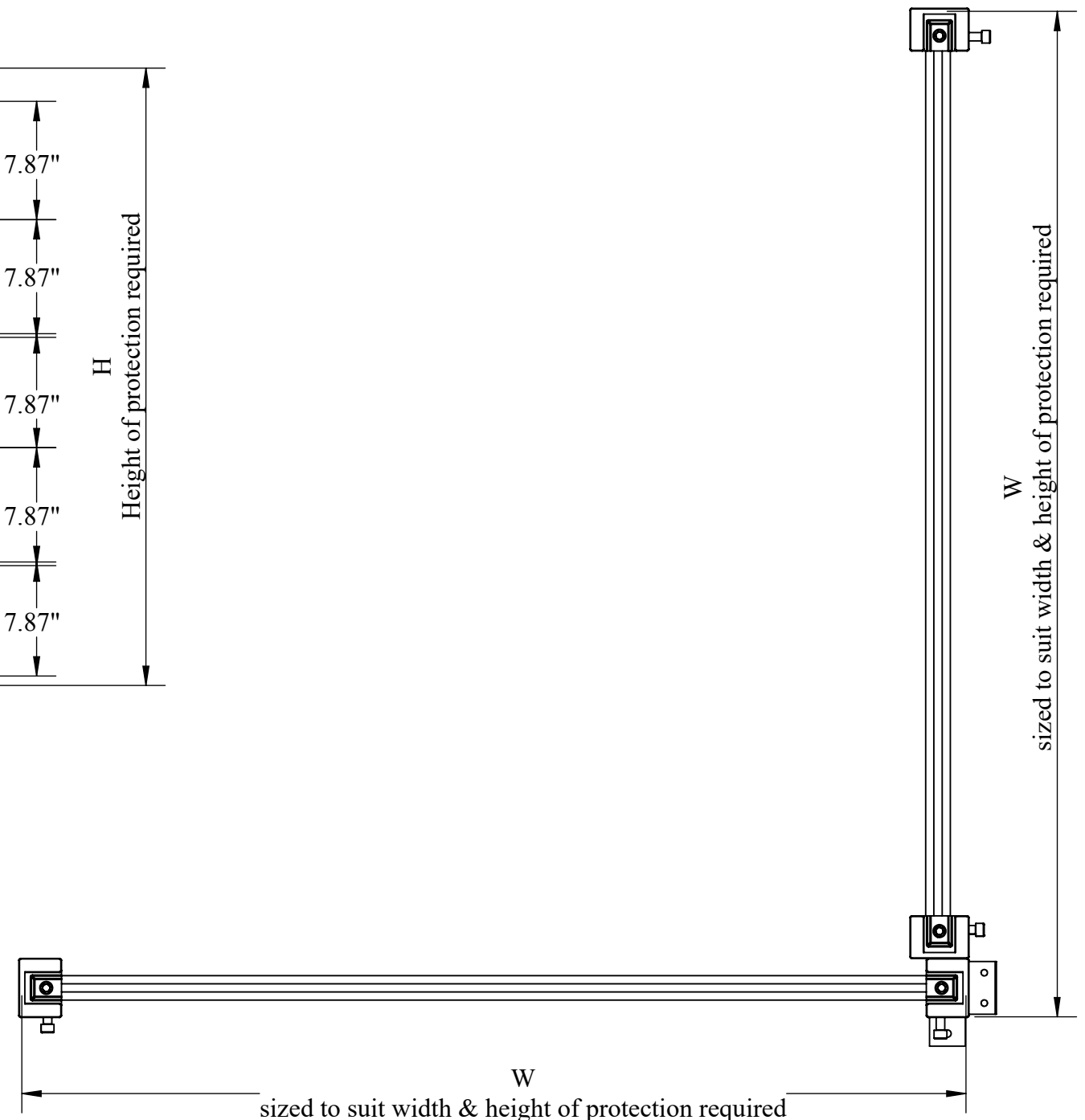
UNLESS OTHERWISE SPECIFIED: DIMENSIONS ARE IN INCHES SURFACE FINISH: TOLERANCES: LINEAR: ANGULAR:			FINISH:		DEBURR AND BREAK SHARP EDGES		DO NOT SCALE DRAWING		REVISION			
							All units are in Inches					
							TITLE: <b>Hammerhead™</b>					
							DWG NO. <b>90 Degree Post</b>			A3		
							WEIGHT:		SCALE:1:10		SHEET 4 OF 5	
NAME	SIGNATURE	DATE										
DRAWN												
CHK'D												
APPV'D												
MFG												
Q.A												

8 7 6 5 4 3 2 1

Front Elevation

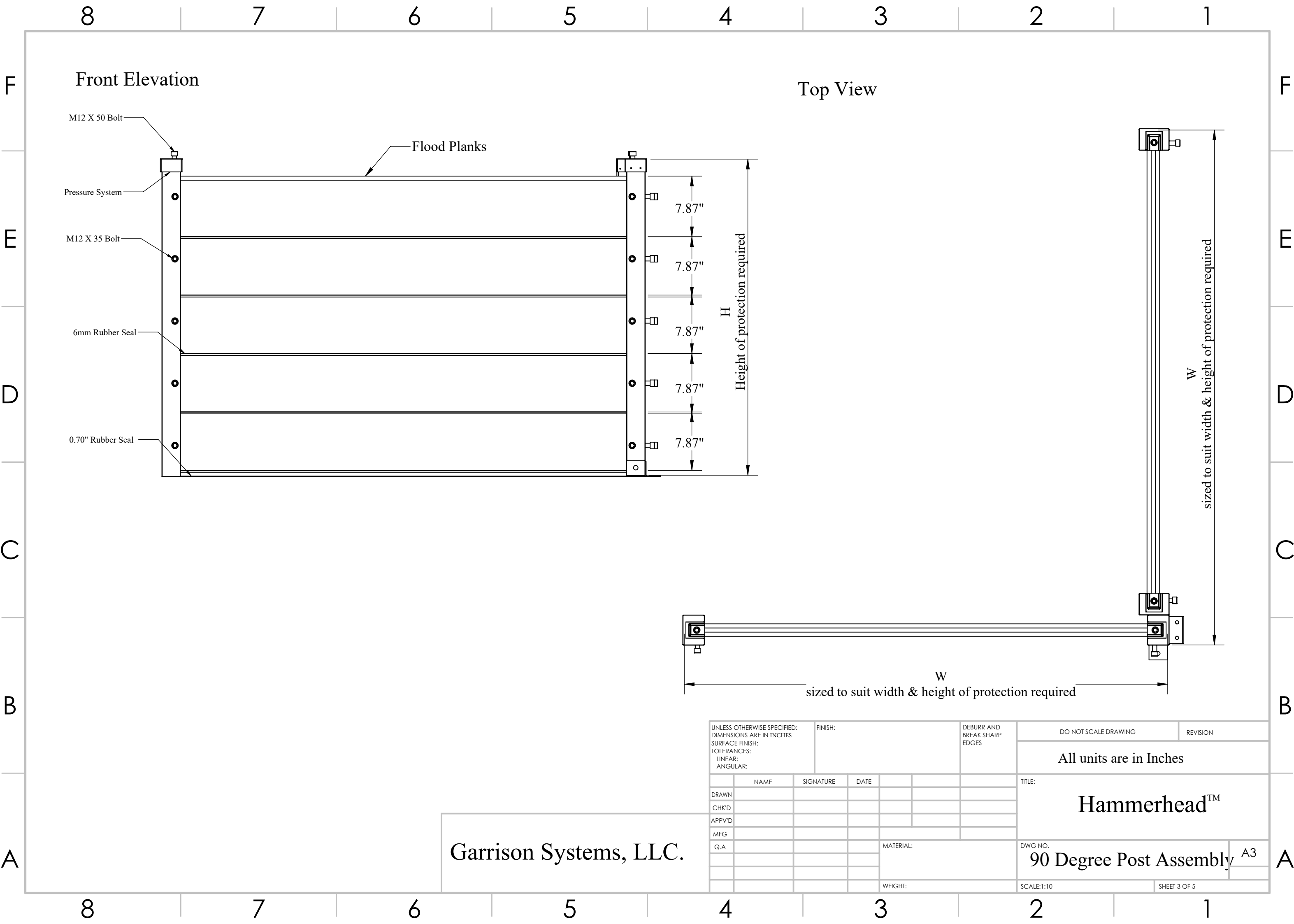


Top View



UNLESS OTHERWISE SPECIFIED: DIMENSIONS ARE IN INCHES SURFACE FINISH: TOLERANCES: LINEAR: ANGULAR:		FINISH:		DEBURR AND BREAK SHARP EDGES		DO NOT SCALE DRAWING		REVISION	
						All units are in Inches			
						TITLE: <b>Hammerhead™</b>			
						DWG NO. <b>90 Degree Post Assembly</b>		A3	
						SCALE:1:10		SHEET 3 OF 5	

Garrison Systems, LLC.



8 7 6 5 4 3 2 1

F

F

E

E

D

D

C

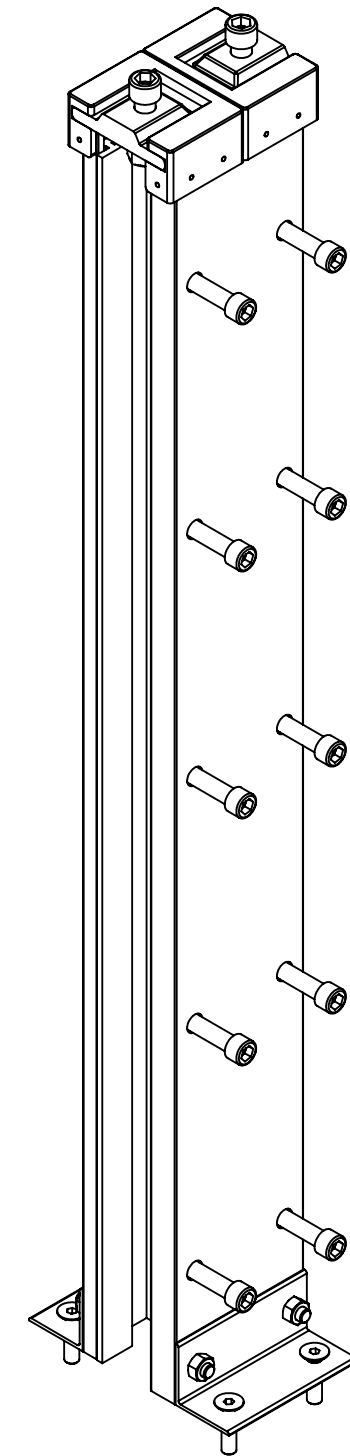
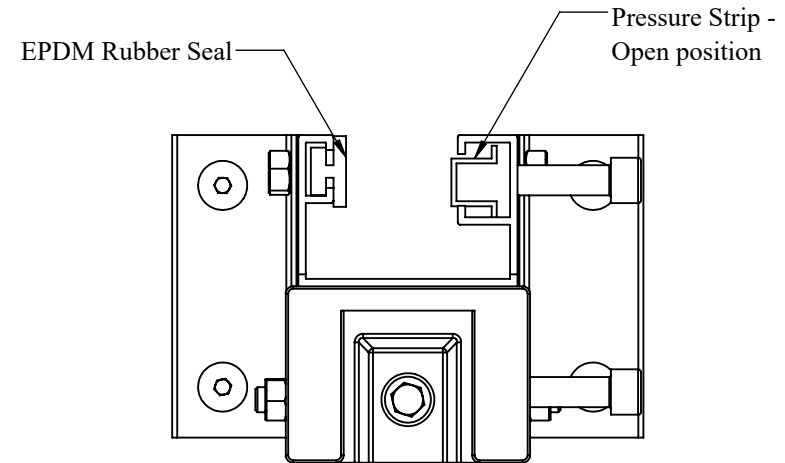
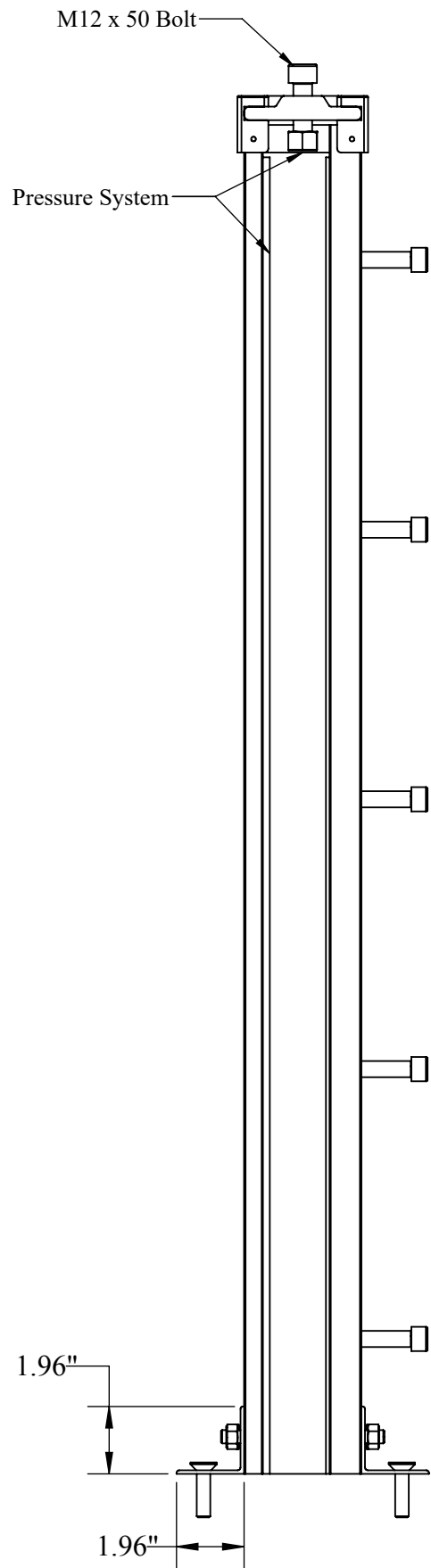
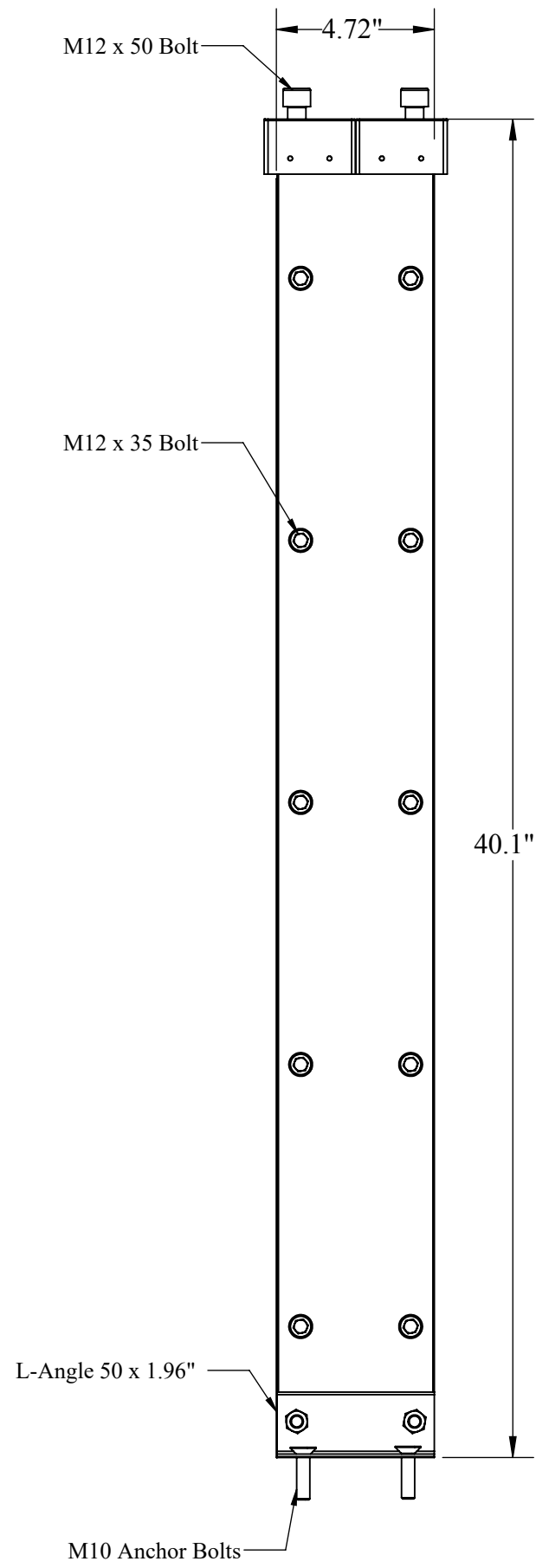
C

B

B

A

A



Garrison Systems, LLC.

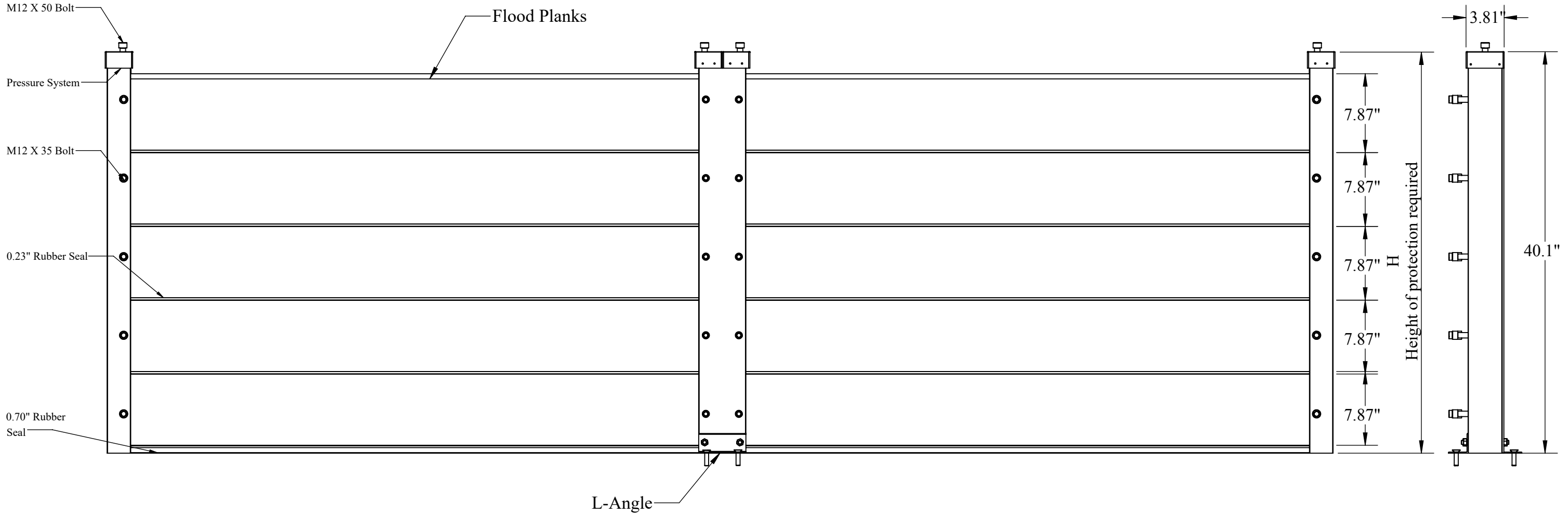
UNLESS OTHERWISE SPECIFIED: DIMENSIONS ARE IN INCHES SURFACE FINISH: TOLERANCES: LINEAR: ANGULAR:				FINISH:		DEBURR AND BREAK SHARP EDGES		DO NOT SCALE DRAWING		REVISION			
								All units are in Inches					
								TITLE: <b>Hammerhead™</b>					
								DWG NO.		Center Post Detail		A3	
								SCALE:1:10		SHEET 2 OF 5			

8 7 6 5 4 3 2 1

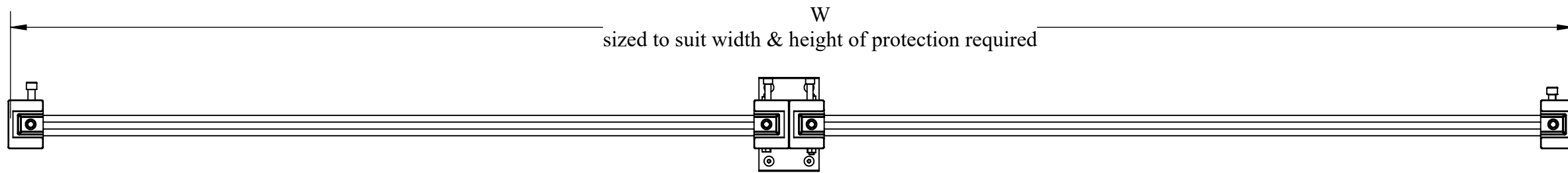
8 7 6 5 4 3 2 1

Front Elevation

Side Elevation



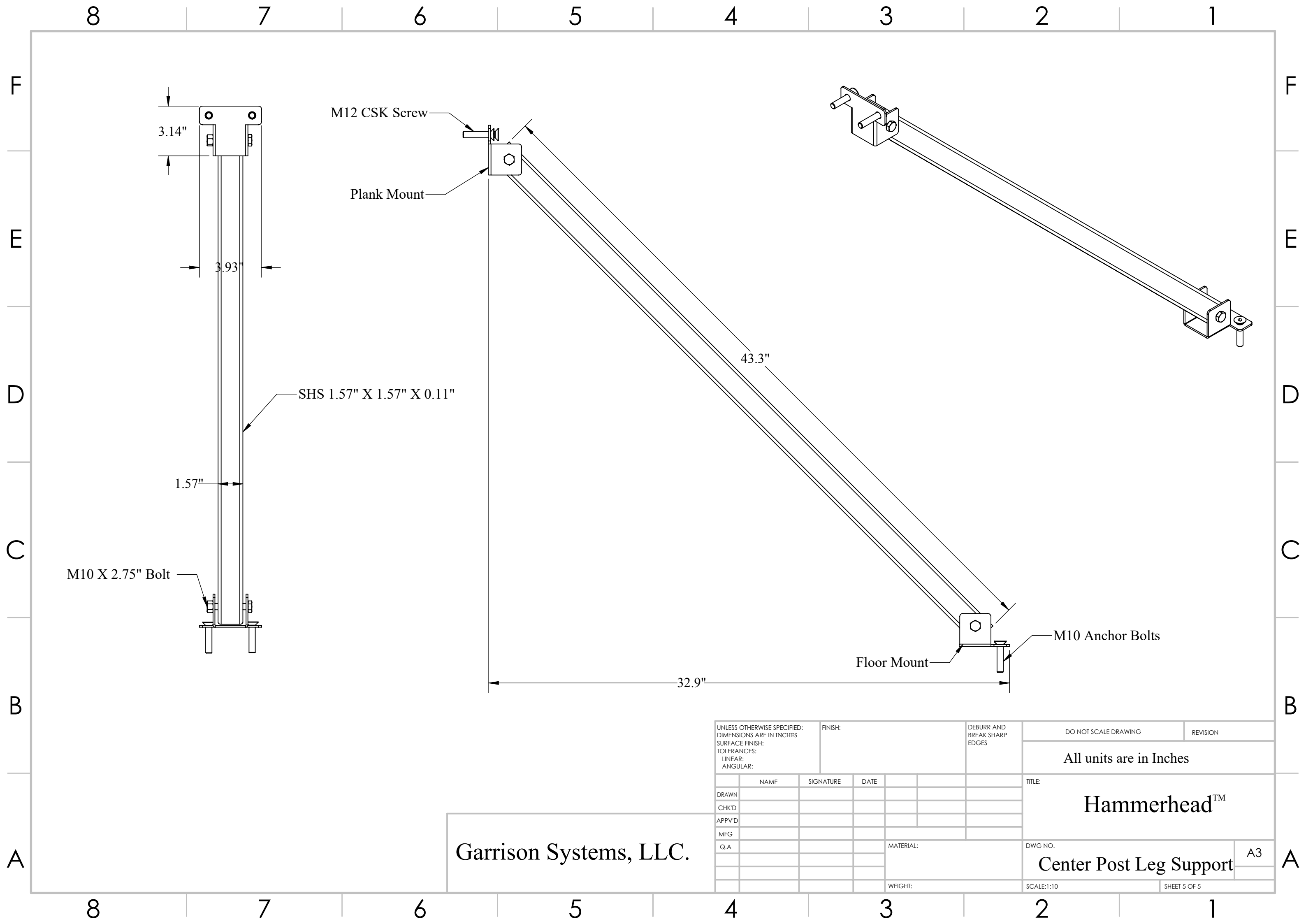
Top View



UNLESS OTHERWISE SPECIFIED: DIMENSIONS ARE IN INCHES SURFACE FINISH: TOLERANCES: LINEAR: ANGULAR:		FINISH:		DEBURR AND BREAK SHARP EDGES		DO NOT SCALE DRAWING		REVISION	
						All units are in Inches			
						TITLE: <b>Hammerhead™</b>			
						DWG NO. <b>Center Post Assembly</b>		A3	
						WEIGHT:		SCALE:1:10	
						SHEET 1 OF 5			

Garrison Systems, LLC.

8 7 6 5 4 3 2 1



M10 X 2.75\" Bolt

M12 CSK Screw

Plank Mount

SHS 1.57\" X 1.57\" X 0.11\"

Floor Mount

M10 Anchor Bolts

Garrison Systems, LLC.

UNLESS OTHERWISE SPECIFIED: DIMENSIONS ARE IN INCHES SURFACE FINISH: TOLERANCES: LINEAR: ANGULAR:			FINISH:		DEBURR AND BREAK SHARP EDGES		DO NOT SCALE DRAWING		REVISION			
							All units are in Inches					
							TITLE: <b>Hammerhead™</b>					
							DWG NO. <b>Center Post Leg Support</b>				A3	
							WEIGHT:		SCALE:1:10		SHEET 5 OF 5	