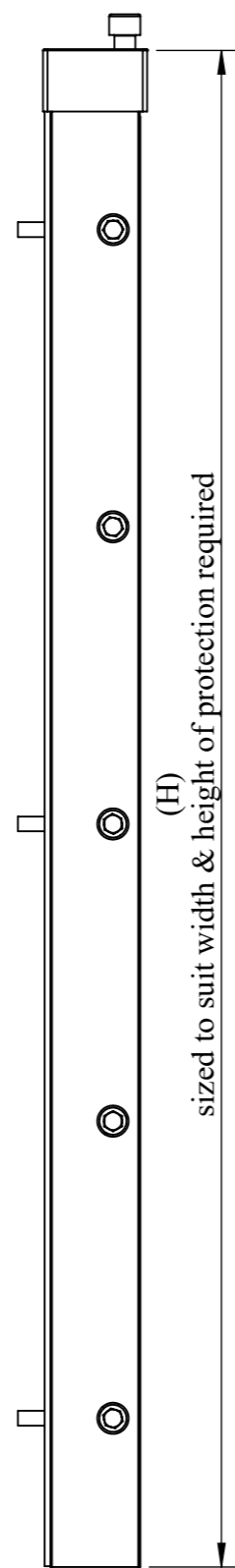
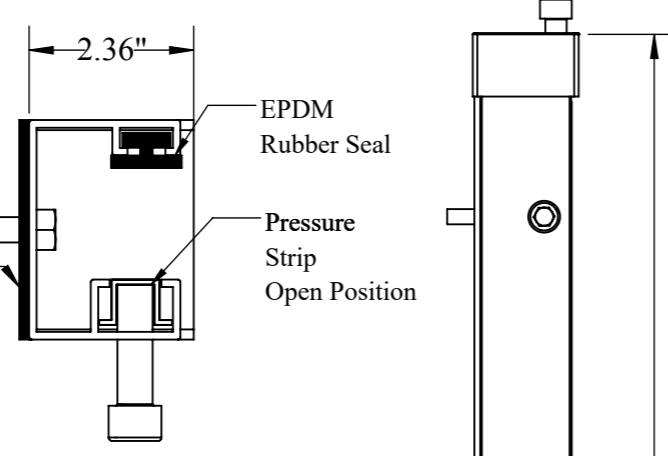
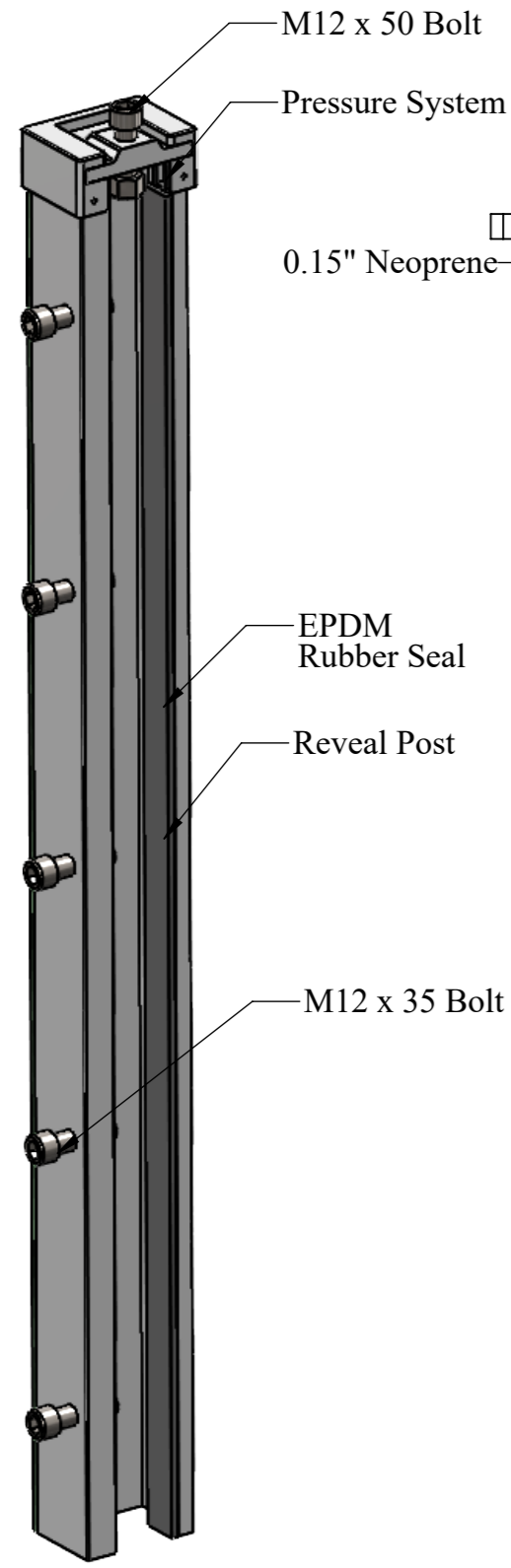
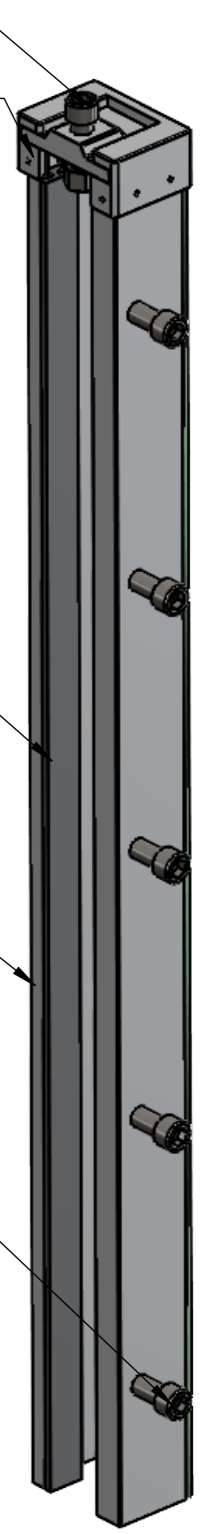
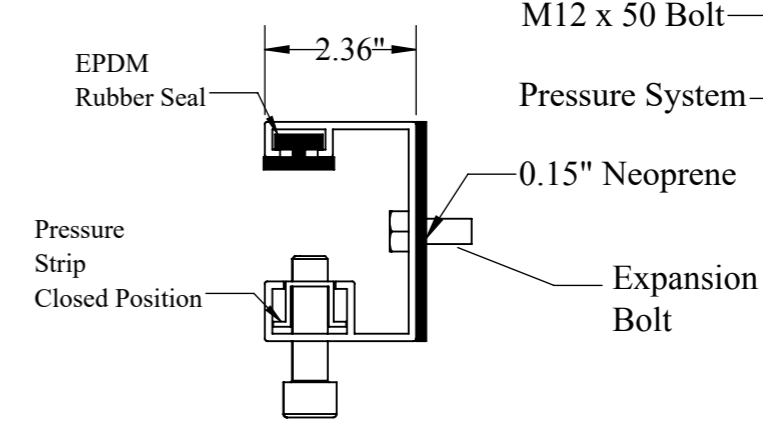
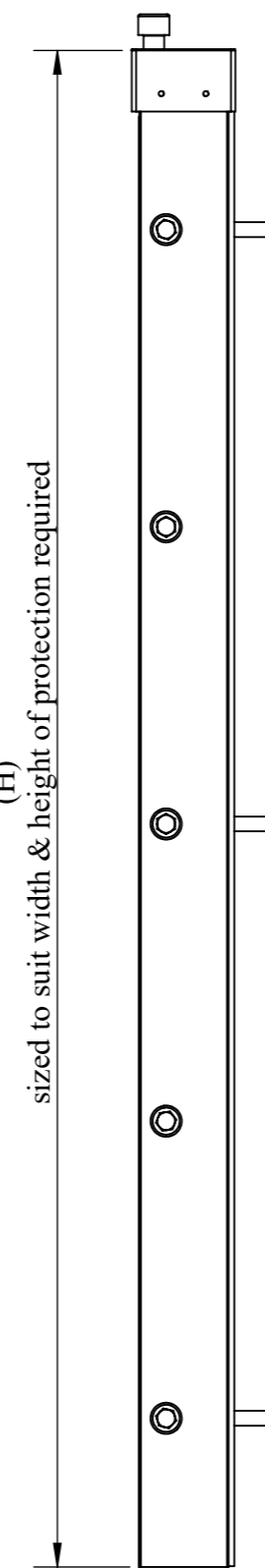


8 7 6 5 4 3 2 1



LEFT



RIGHT

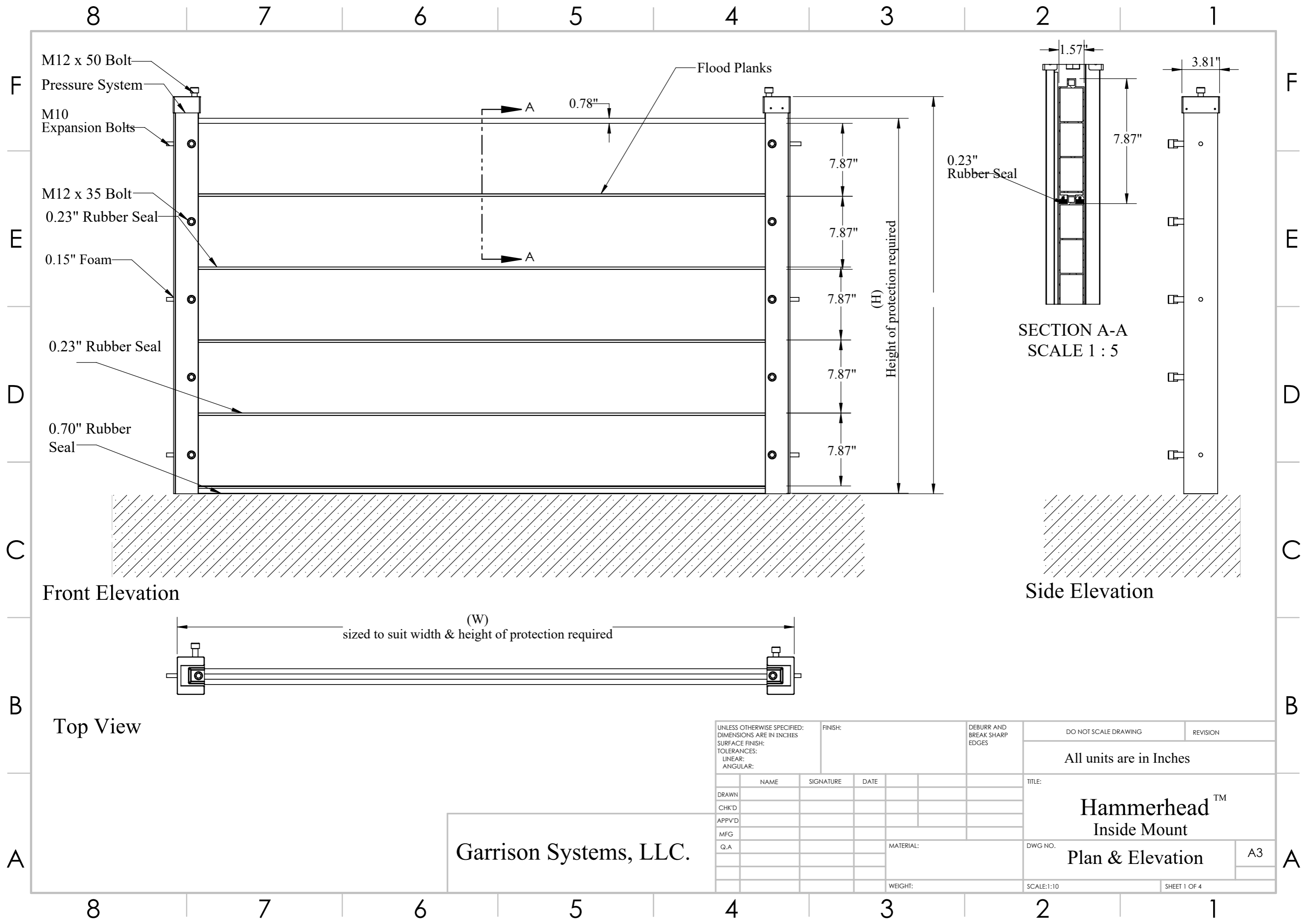
Garrison Systems, LLC.

UNLESS OTHERWISE SPECIFIED: DIMENSIONS ARE IN INCHES SURFACE FINISH: TOLERANCES: LINEAR: ANGULAR:			FINISH:		DEBURR AND BREAK SHARP EDGES		DO NOT SCALE DRAWING		REVISION			
							All units are in Inches					
							TITLE: Hammerhead™ Inside Mount Post Detail					
							DWG NO.		A3		SHEET 2 OF 4	
							WEIGHT:		SCALE:1:10			

F
E
D
C
B
A

F
E
D
C
B
A

8 7 6 5 4 3 2 1

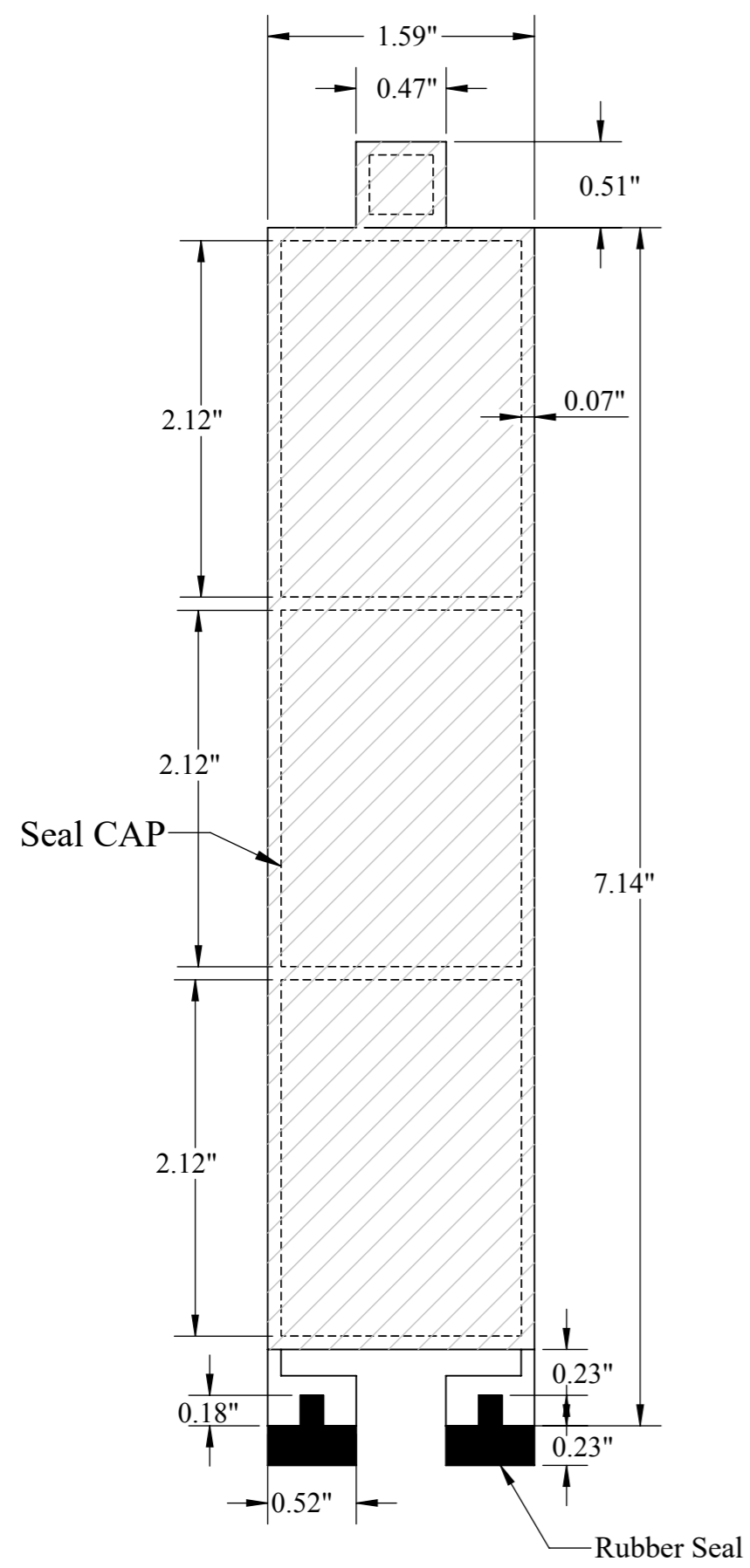


Garrison Systems, LLC.

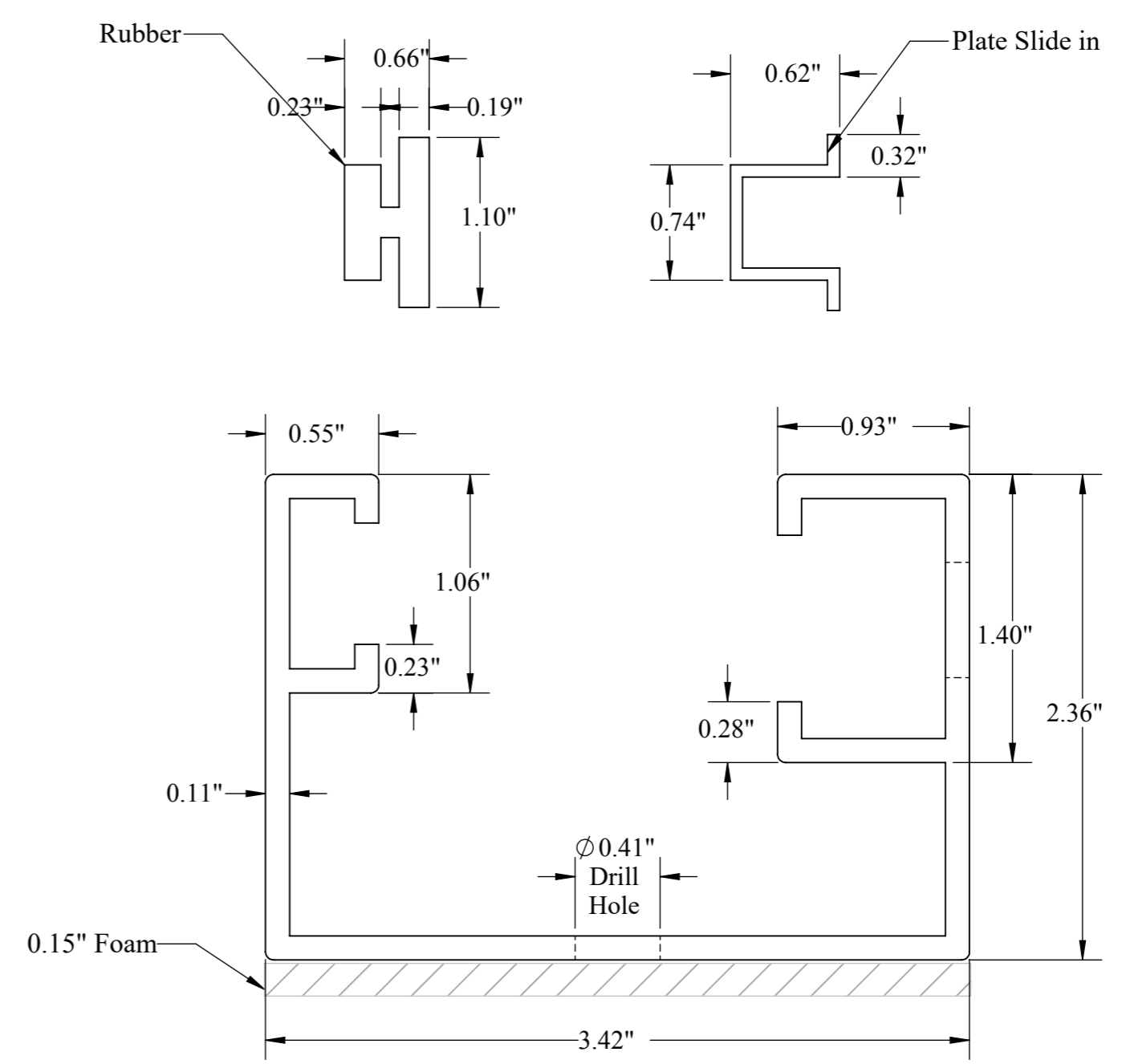
UNLESS OTHERWISE SPECIFIED: DIMENSIONS ARE IN INCHES SURFACE FINISH: TOLERANCES: LINEAR: ANGULAR:			FINISH:		DEBURR AND BREAK SHARP EDGES		DO NOT SCALE DRAWING		REVISION			
							All units are in Inches					
							TITLE:					
							Hammerhead™ Inside Mount					
							DWG NO. Plan & Elevation				A3	
							SCALE:1:10		SHEET 1 OF 4			

8 7 6 5 4 3 2 1

PLANK



Post Profile



Garrison Systems, LLC.

UNLESS OTHERWISE SPECIFIED: DIMENSIONS ARE IN INCHES SURFACE FINISH: TOLERANCES: LINEAR: ANGULAR:			FINISH:		DEBURR AND BREAK SHARP EDGES		DO NOT SCALE DRAWING		REVISION		
							All units are in Inches				
							TITLE:				
							Hammerhead™ Inside Mount				
							DWG NO.				A3
							SCALE:1:10				SHEET 3 OF 4

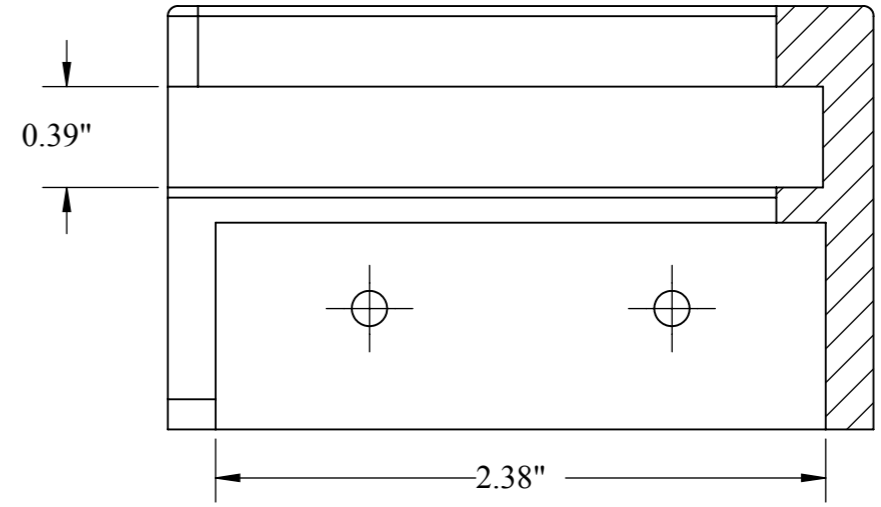
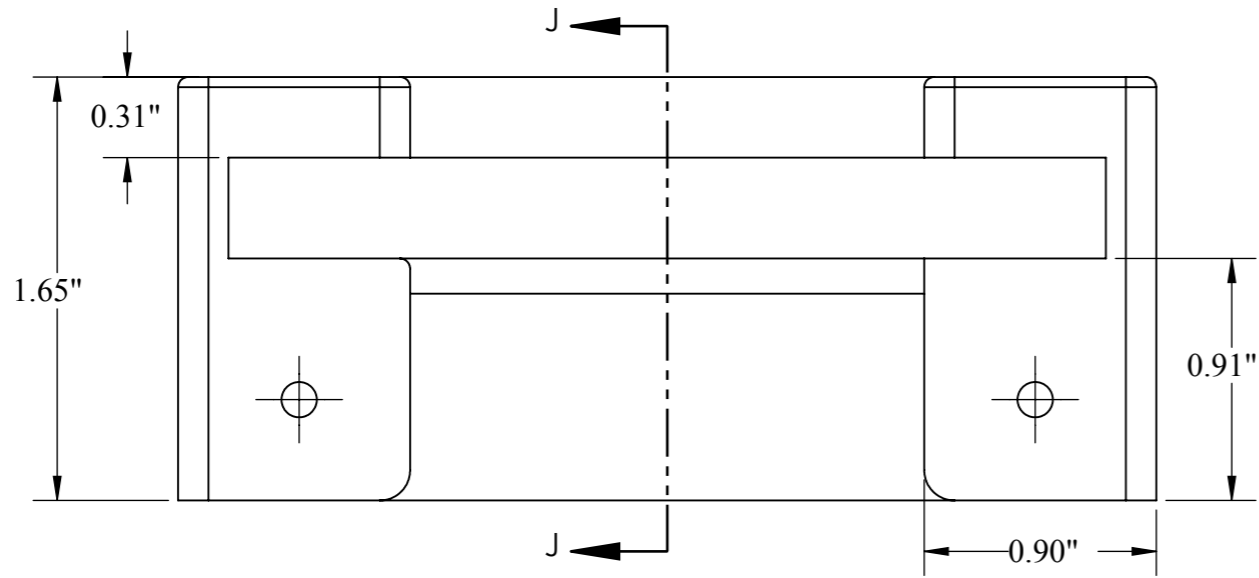
	NAME	SIGNATURE	DATE				
DRAWN							
CHK'D							
APPV'D							
MFG							
Q.A							
				MATERIAL:			
				WEIGHT:			

F
E
D
C
B
A

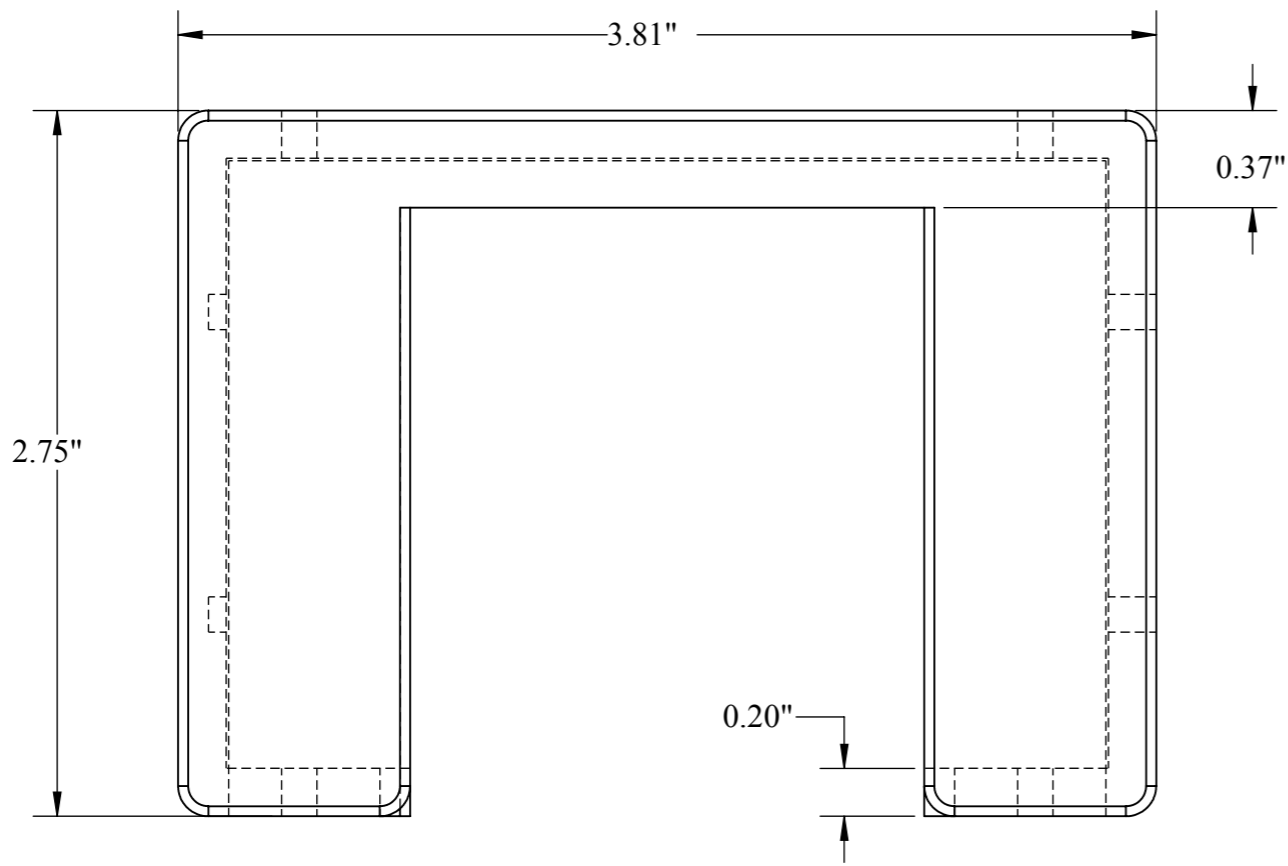
F
E
D
C
B
A

8 7 6 5 4 3 2 1

POST PROFILE CAP



SECTION J-J
SCALE 1 : 0.75



Garrison Systems, LLC.

UNLESS OTHERWISE SPECIFIED: DIMENSIONS ARE IN INCHES SURFACE FINISH: TOLERANCES: LINEAR: ANGULAR:			FINISH:		DEBURR AND BREAK SHARP EDGES		DO NOT SCALE DRAWING		REVISION		
							All units are in Inches				
							TITLE: Hammerhead™				
							DWG NO. Post Top Cap				A3
							SCALE:1:10		SHEET 4 OF 4		
DRAWN		NAME		SIGNATURE		DATE		MATERIAL:		WEIGHT:	
CHK'D											
APPV'D											
MFG											
Q.A											