

8 7 6 5 4 3 2 1

F

F

E

E

D

D

C

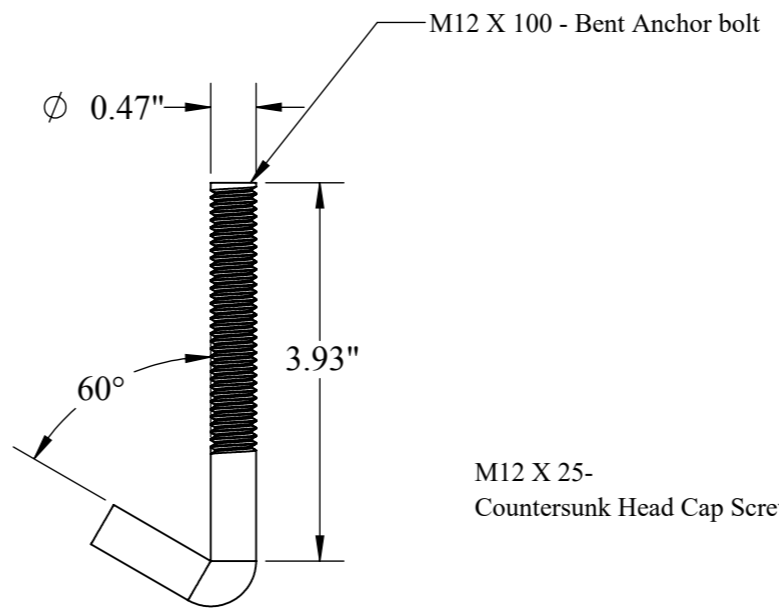
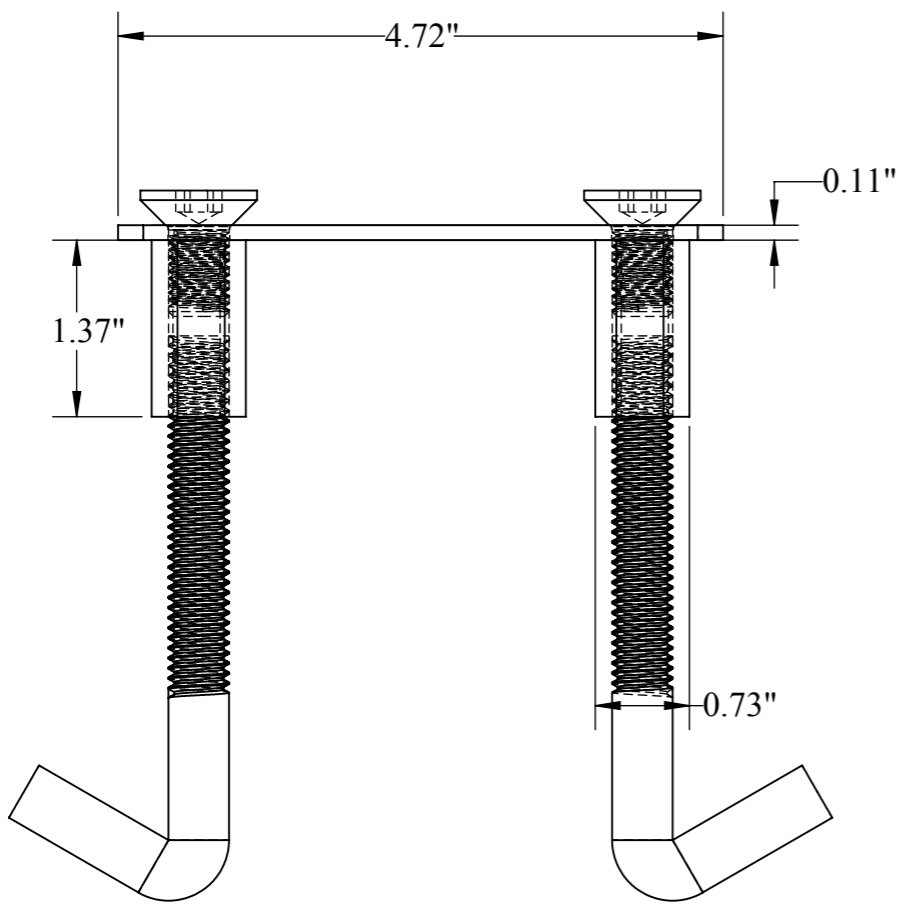
C

B

B

A

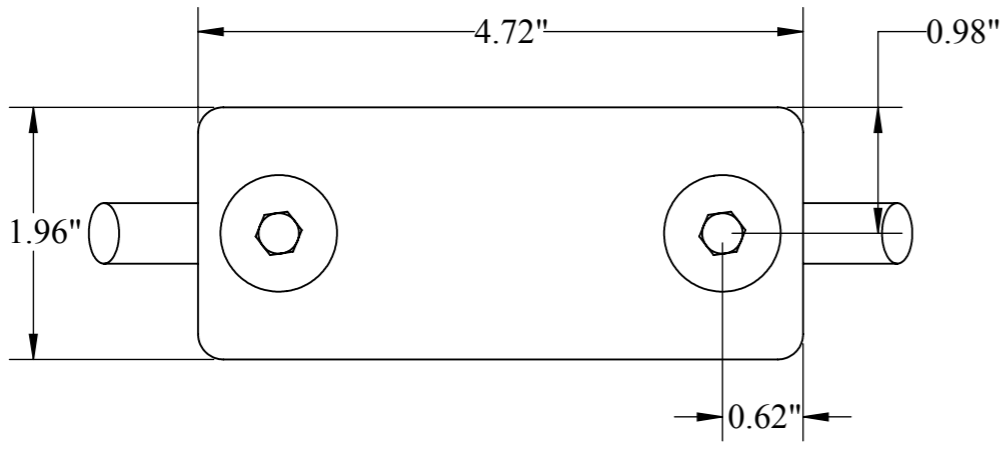
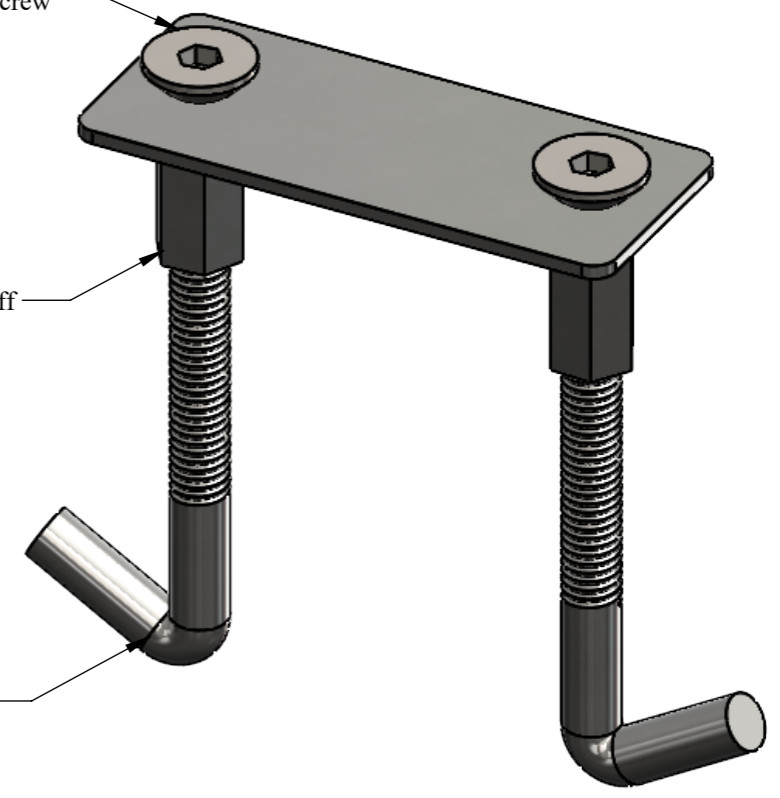
A



M12 X 25-
Countersunk Head Cap Screw

M12 X 1.37" - Hex Standoff

M12 X 100 - Bent anchor bolt



Garrison Systems, LLC.

UNLESS OTHERWISE SPECIFIED: DIMENSIONS ARE IN INCHES SURFACE FINISH: TOLERANCES: LINEAR: ANGULAR:			FINISH:		DEBURR AND BREAK SHARP EDGES		DO NOT SCALE DRAWING		REVISION			
							All units are in Inches					
							TITLE: Hammerhead™					
							DWG NO. Small Base Plate				A3	
							WEIGHT:		SCALE:1:2		SHEET 1 OF 1	

8 7 6 5 4 3 2 1